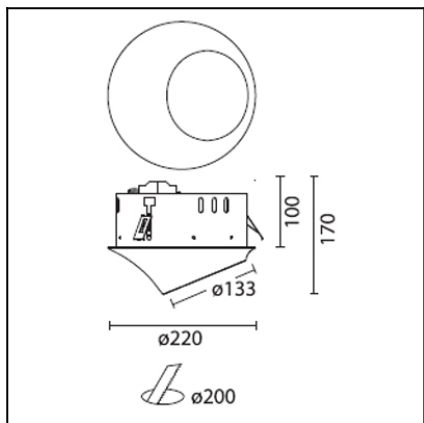


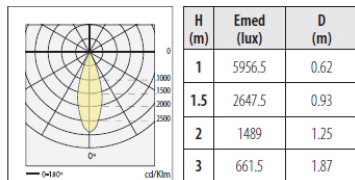
Design by Estudi Ribaudí



The photograph may not match the reference exactly. Please read the product description to identify the finish.



n° 20  
CDM-R111 70W 40°  
η=100 %



### DESCRIPTION

Multifunction flush mounted wall lights with injected aluminium body. Available in different versions for halogen lamps, discharge lamps, compact fluorescent lamps (ballast included) and LED lamps. Finished in matt white or anodised silver. For the matt white option the unit may be completely flush fitted into the architecture with the use of thermoplastic paint. The two asymmetric models allow the lamp to be tilted up to an angle of 60° on the vertical axis and its double lower chassis allows the light to be focused up to an angle of up to 355° horizontally.

### TECHNICAL CHARACTERISTICS

Type:	Downlight
Adjustable from 0° to 50° on the horizontal axis	
Adjustable 355° on the vertical axis.2	
IP Protection degrees:	IP23
Lampholder:	1 x GX8.5
Power (W):	GX8.5 70
Voltage / Frequency:	230V/50-60Hz
Warranty (Years):	2
Units per box:	1
Net Weight (Kg):	0.855
EAN:	8435111065457,00



### MATERIALS / FINISHES

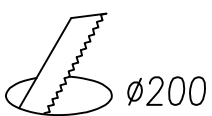
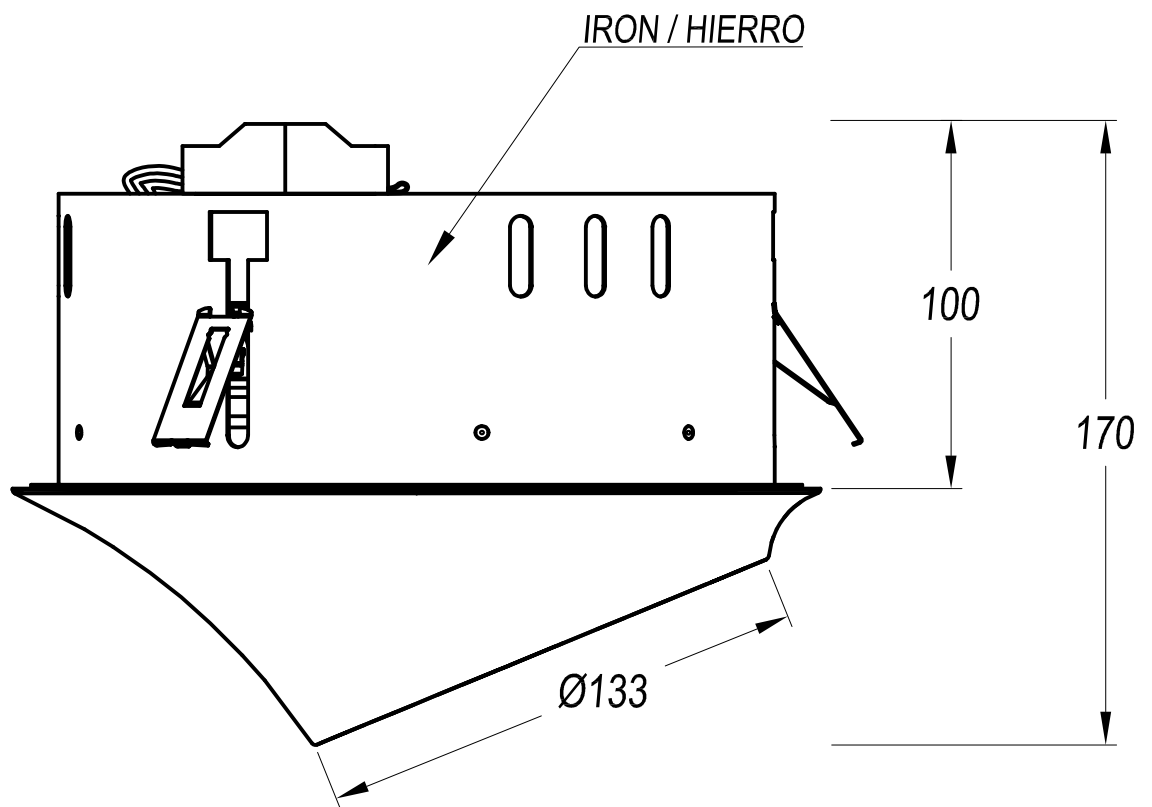
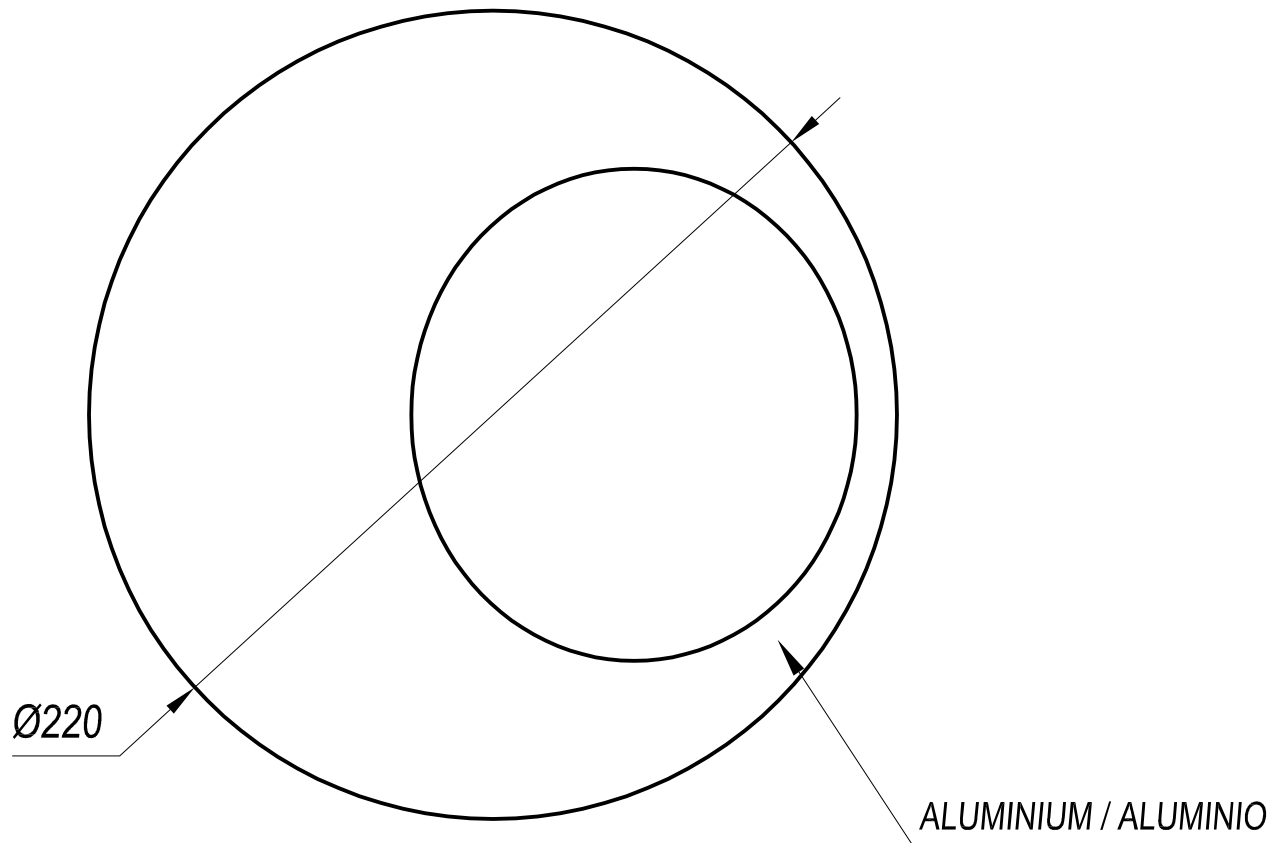
**Structure material:** Injected aluminium

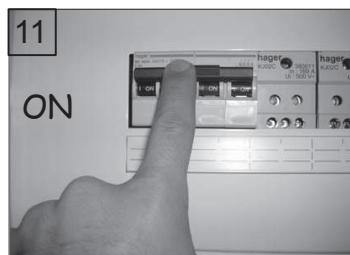
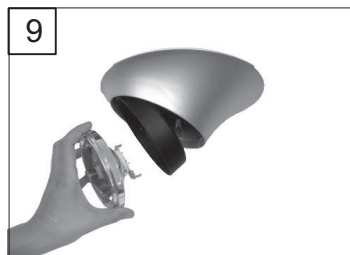
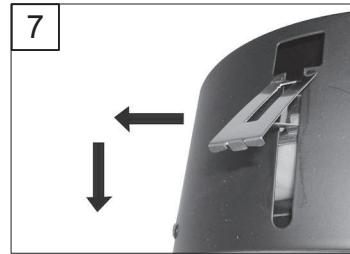
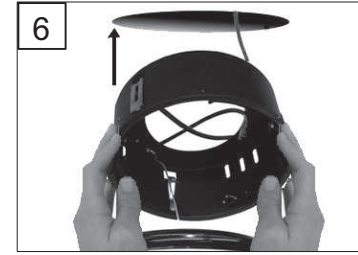
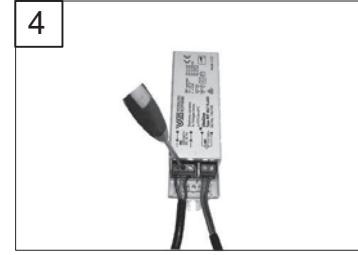
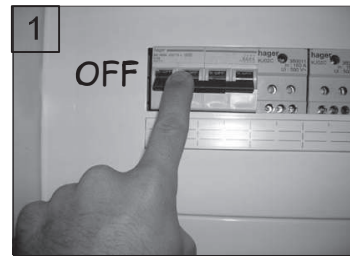
**Structure finish:** White


### GEAR

Necessary equipment not included. For more information check website / catalogs / sales organization.

Download photometric file .ldt /.ies





	REF.		LAMP	SOCKET
①	DN-1302-14-00	Ø200	QR-111 max. 100W	G53
①	DN-1302-J2-00	Ø200	QR-111 max. 100W	G53
②	DN-1305-14-00	Ø200	CDM-R111 max. 70W	GX8.5
②	DN-1305-J2-00	Ø200	CDM-R111 max. 70W	GX8.5

