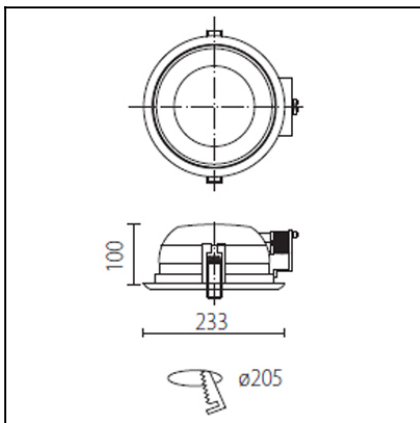




The photograph may not match the reference exactly. Please read the product description to identify the finish.



## DESCRIPTION

Round downlight for flush mounting ballast included. Painted steel plate casing, anodised aluminium reflector and anti-glare glass diffuser. Finished in white or grey. Suitable for compact fluorescent lights. Spring mounting system.

## TECHNICAL CHARACTERISTICS

Type:	Downlight
IP Protection degrees:	IP44
Lampholder:	1 x G24q2
Power (W):	G24q2 18
Voltage / Frequency:	230V/50-60Hz
Warranty (Years):	2
Units per box:	1
Net Weight (Kg):	0.79
EAN:	8435111060094,00



## MATERIALS / FINISHES

**Structure material:** Steel

**Diffuser material:** Tempered glass

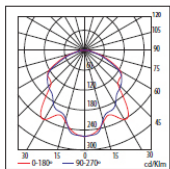
**Structure finish:** Epoxy finish

**Diffuser finish:** Tinted

n° 118

DN-1400-14-00 ECO 18WTC-D opal

$\eta = 64,34\%$



H (m)	Emed (lux)	D (m)
1	63	3.21
2	16	6.42
3	7	9.63
4	4	12.85
5	3	16.06

## GEAR

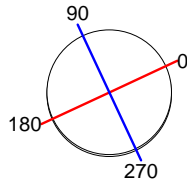
Gear included: Yes, electronic

Download photometric file .ldt / .ies

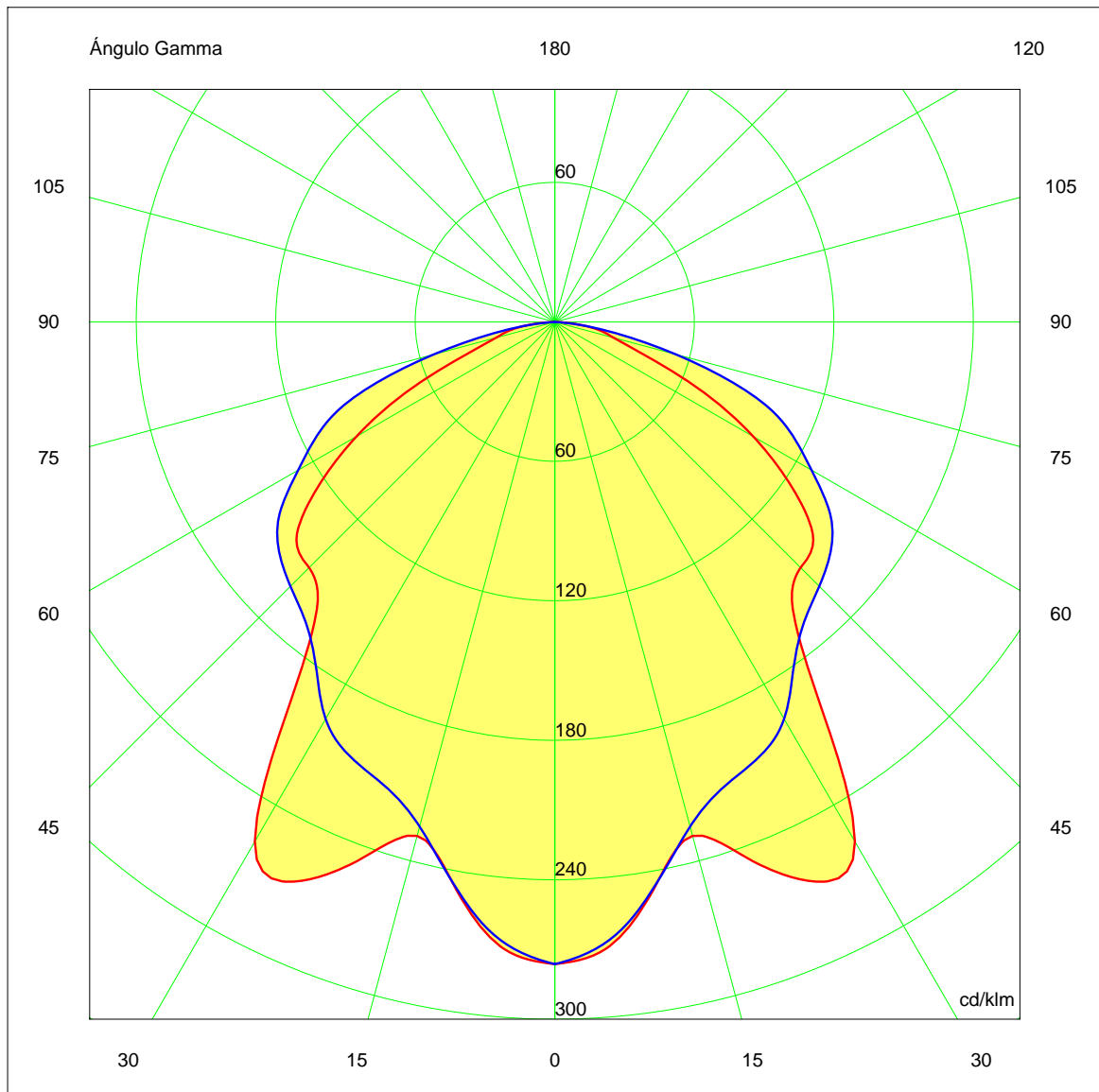
<b>Luminaria</b>		<b>Ensayo</b>		<b>Lámpara</b>	
Código	DN-1405-14-00	Código	DN-1405-14-00	Código	PLC18844P
Nombre	Downlight 1x18W G24q-2	Nombre	Downlight 1x18W G24q-2	Número	1
Familia	- LEDS-C4	Fecha	06-12-2008	Posición	UNIVERSAL
Eficiencia	71.37%	Sist. de Coorden.	C-G	Flujo Total	1200.00 lm
Valor Máximo	276.25 cd/klm	Posición	C=0.00 G=0.00	Bisimétrico	

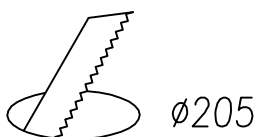
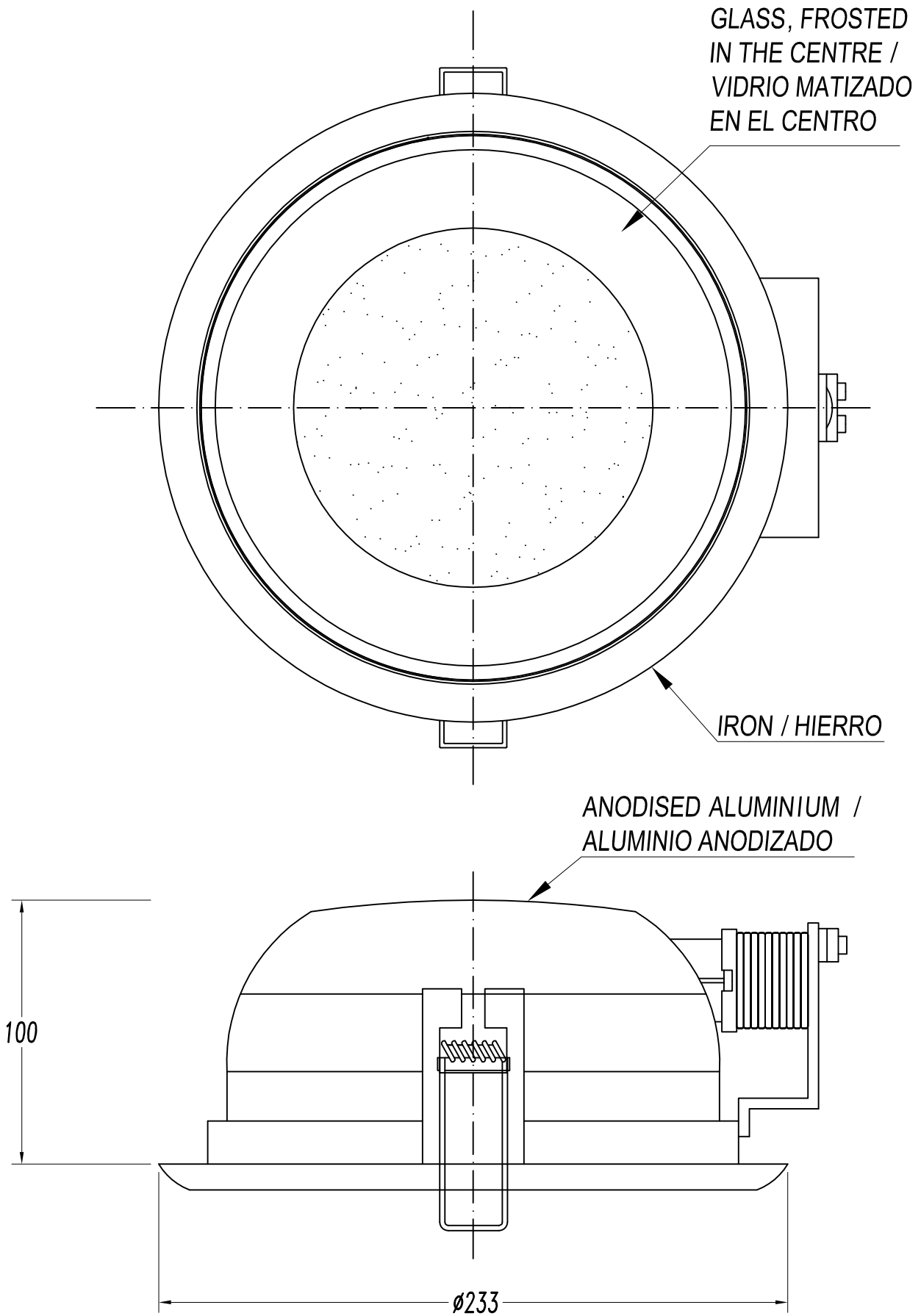
Diam=220mm Incasso


Semiplanos C



180.0 ——— 0.0  
270.0 ——— 90.0





REF.		LAMP	SOCKET
DN-1400-14-00	Ø 195	TC-D 1x18W	G24d-2
DN-1401-14-00	Ø 195	TC-D 2x18W	G24d-2
DN-1402-14-00	Ø 195	TC-D 1x26W	G24d-3
DN-1403-14-00	Ø 195	TC-D 2x26W	G24d-3
DN-1405-14-00	Ø 195	TC-DEL 1x18W	G24q-2
DN-1406-14-00	Ø 195	TC-DEL 2x18W	G24q-2
DN-1407-14-00	Ø 195	TC-DEL 1x26W	G24q-3
DN-1408-14-00	Ø 195	TC-DEL 2x26W	G24q-3
DN-1400-N3-00	Ø 195	TC-D 1x18W	G24d-2
DN-1401-N3-00	Ø 195	TC-D 2x18W	G24d-2
DN-1402-N3-00	Ø 195	TC-D 1x26W	G24d-3
DN-1403-N3-00	Ø 195	TC-D 2x26W	G24d-3
DN-1405-N3-00	Ø 195	TC-DEL 1x18W	G24q-2
DN-1406-N3-00	Ø 195	TC-DEL 2x18W	G24q-2
DN-1407-N3-00	Ø 195	TC-DEL 1x26W	G24q-3
DN-1408-N3-00	Ø 195	TC-DEL 2x26W	G24q-3

