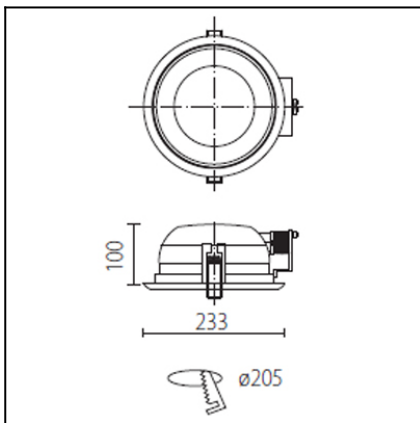




The photograph may not match the reference exactly. Please read the product description to identify the finish.



DESCRIPTION

Round downlight for flush mounting ballast included. Painted steel plate casing, anodised aluminium reflector and anti-glare glass diffuser. Finished in white or grey. Suitable for compact fluorescent lights. Spring mounting system.

TECHNICAL CHARACTERISTICS

Type:	Downlight
IP Protection degrees:	IP44
Lampholder:	1 x G24q2
Power (W):	G24q2 18
Voltage / Frequency:	230V/50-60Hz
Warranty (Years):	2
Units per box:	1
Net Weight (Kg):	0.79
EAN:	8435111060100,00



MATERIALS / FINISHES

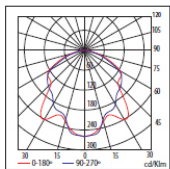
Structure material: Steel

Diffuser material: Tempered glass

Structure finish: Baked-on grey paint

Diffuser finish: Tinted

n° 118
DN-1400-14-00 ECO 18WTC-D opal
 $\eta = 64,34\%$



H (m)	Emed (lux)	D (m)
1	63	3.21
2	16	6.42
3	7	9.63
4	4	12.85
5	3	16.06

GEAR

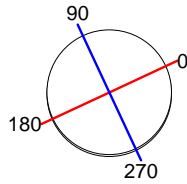
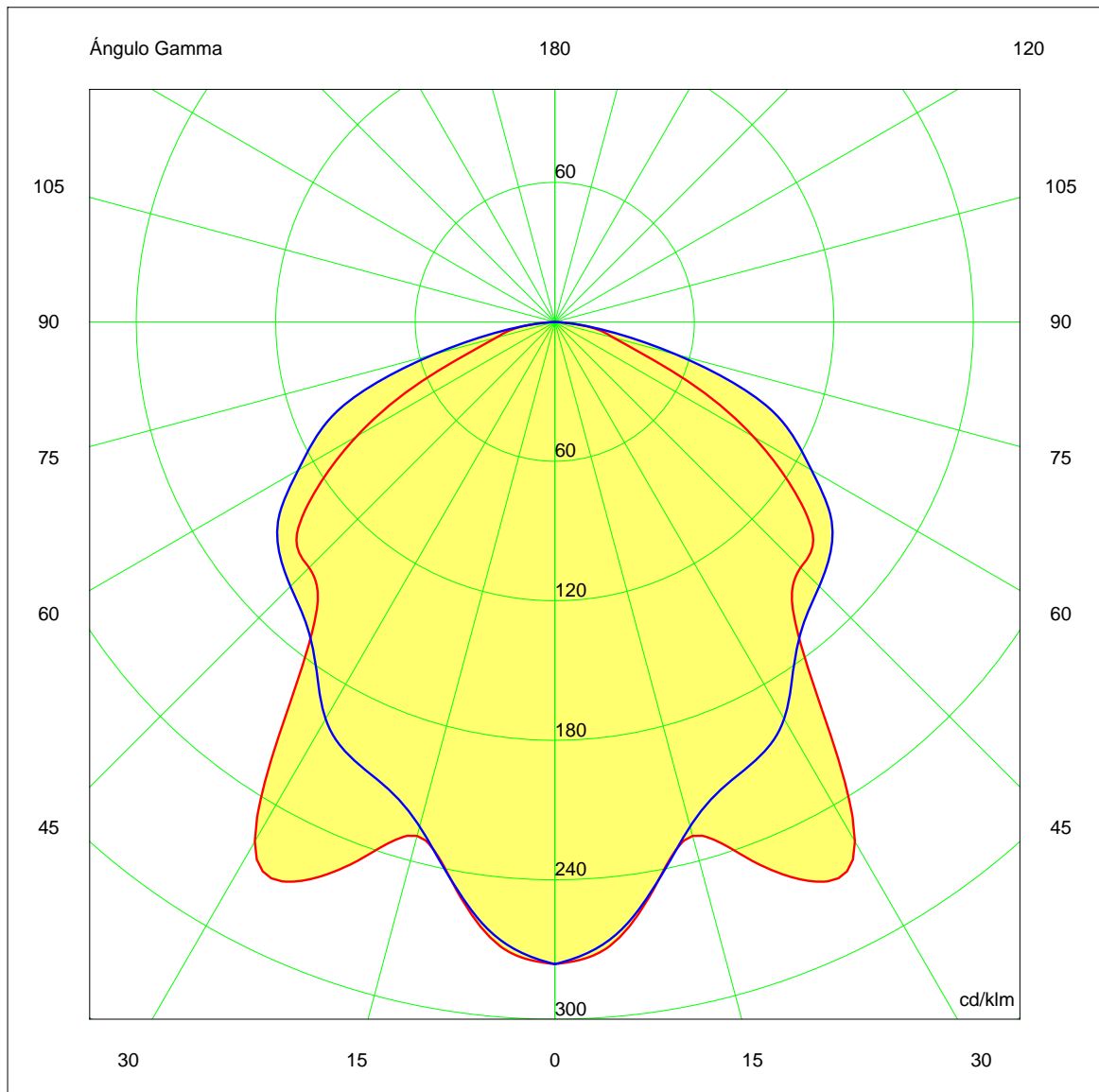
Gear included: Yes, electronic

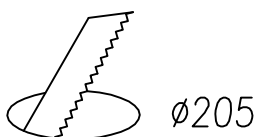
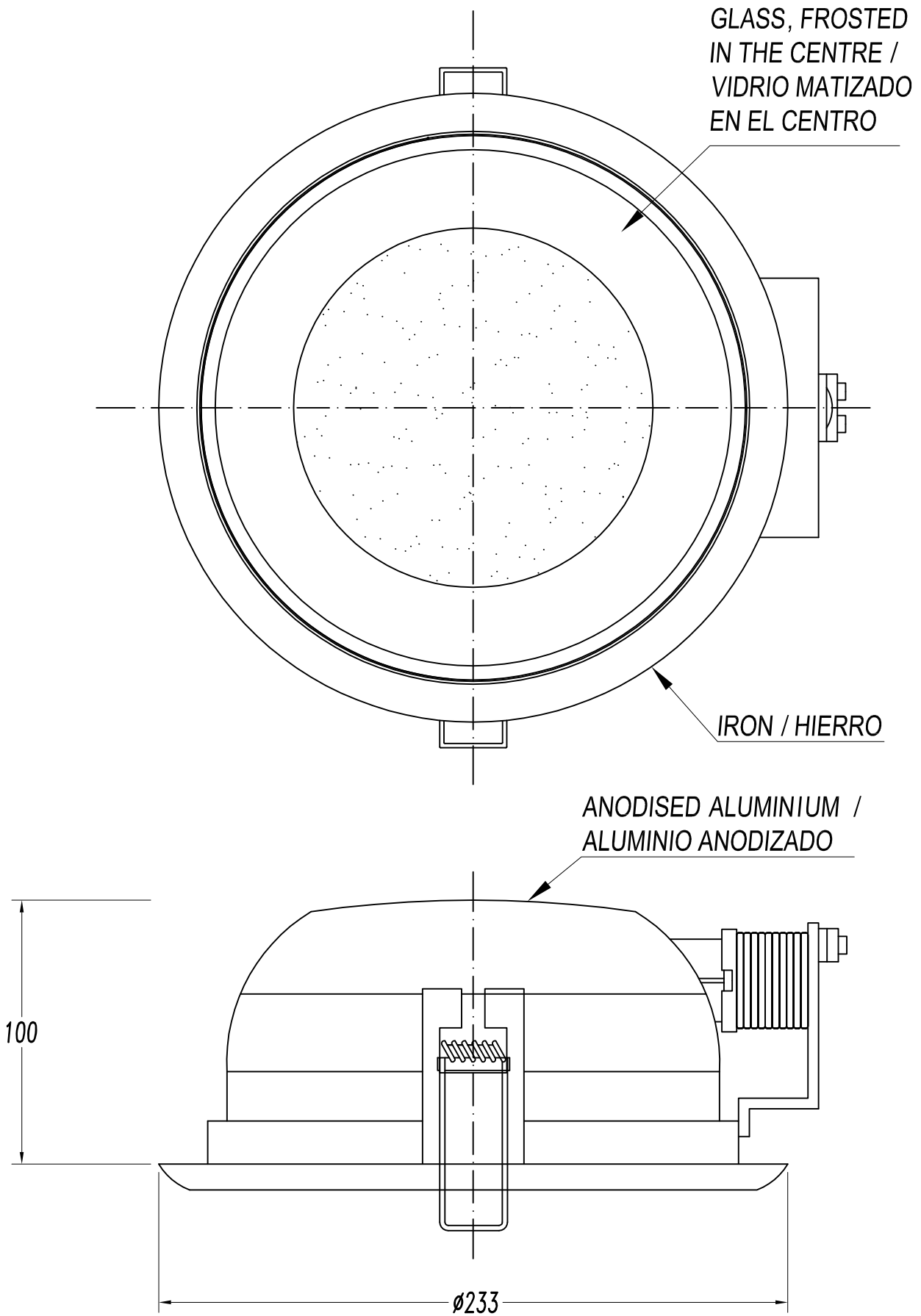
Download photometric file .ldt / .ies


Luminaria		Ensayo		Lámpara	
Código	DN-1405-14-00	Código	DN-1405-14-00	Código	PLC18844P
Nombre	Downlight 1x18W G24q-2	Nombre	Downlight 1x18W G24q-2	Número	1
Familia	- LEDS-C4	Fecha	06-12-2008	Posición	UNIVERSAL
Eficiencia	71.37%	Sist. de Coorden.	C-G	Flujo Total	1200.00 lm
Valor Máximo	276.25 cd/klm	Posición	C=0.00 G=0.00	Bisimétrico	

Diam=220mm Incasso

Semiplanos C


 180.0 ——— 0.0
 270.0 ——— 90.0




REF.		LAMP	SOCKET
DN-1400-14-00	Ø 195	TC-D 1x18W	G24d-2
DN-1401-14-00	Ø 195	TC-D 2x18W	G24d-2
DN-1402-14-00	Ø 195	TC-D 1x26W	G24d-3
DN-1403-14-00	Ø 195	TC-D 2x26W	G24d-3
DN-1405-14-00	Ø 195	TC-DEL 1x18W	G24q-2
DN-1406-14-00	Ø 195	TC-DEL 2x18W	G24q-2
DN-1407-14-00	Ø 195	TC-DEL 1x26W	G24q-3
DN-1408-14-00	Ø 195	TC-DEL 2x26W	G24q-3
DN-1400-N3-00	Ø 195	TC-D 1x18W	G24d-2
DN-1401-N3-00	Ø 195	TC-D 2x18W	G24d-2
DN-1402-N3-00	Ø 195	TC-D 1x26W	G24d-3
DN-1403-N3-00	Ø 195	TC-D 2x26W	G24d-3
DN-1405-N3-00	Ø 195	TC-DEL 1x18W	G24q-2
DN-1406-N3-00	Ø 195	TC-DEL 2x18W	G24q-2
DN-1407-N3-00	Ø 195	TC-DEL 1x26W	G24q-3
DN-1408-N3-00	Ø 195	TC-DEL 2x26W	G24q-3

