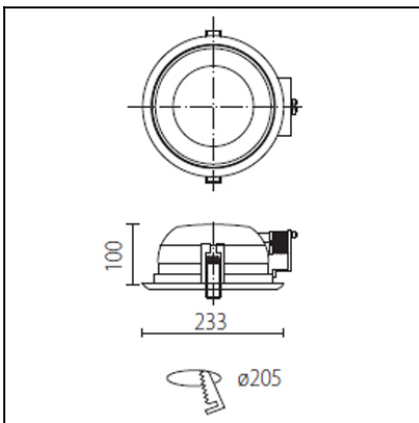




The photograph may not match the reference exactly. Please read the product description to identify the finish.



DESCRIPTION

Round downlight for flush mounting ballast included. Painted steel plate casing, anodised aluminium reflector and anti-glare glass diffuser. Finished in white or grey. Suitable for compact fluorescent lights. Spring mounting system.

TECHNICAL CHARACTERISTICS

Type:	Downlight
IP Protection degrees:	IP44
Lampholder:	1 x G24q3
Power (W):	G24q3 26
Voltage / Frequency:	230V/50-60Hz
Warranty (Years):	2
Units per box:	1
Net Weight (Kg):	0.795
EAN:	8435111060131,00

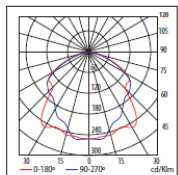


MATERIALS / FINISHES

Structure material: Steel
Structure finish: White

Diffuser material: Tempered glass
Diffuser finish: Partly-sandblasted

n° 123
DN-1407-14-00 ECO.1x26W G24q-2 dif. opal
 $\eta=69,05\%$



H (m)	Emed (lux)	D (m)
1	91	3.42
2	23	6.84
3	10	10.26
4	6	13.69
5	4	17.11

GEAR

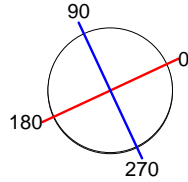
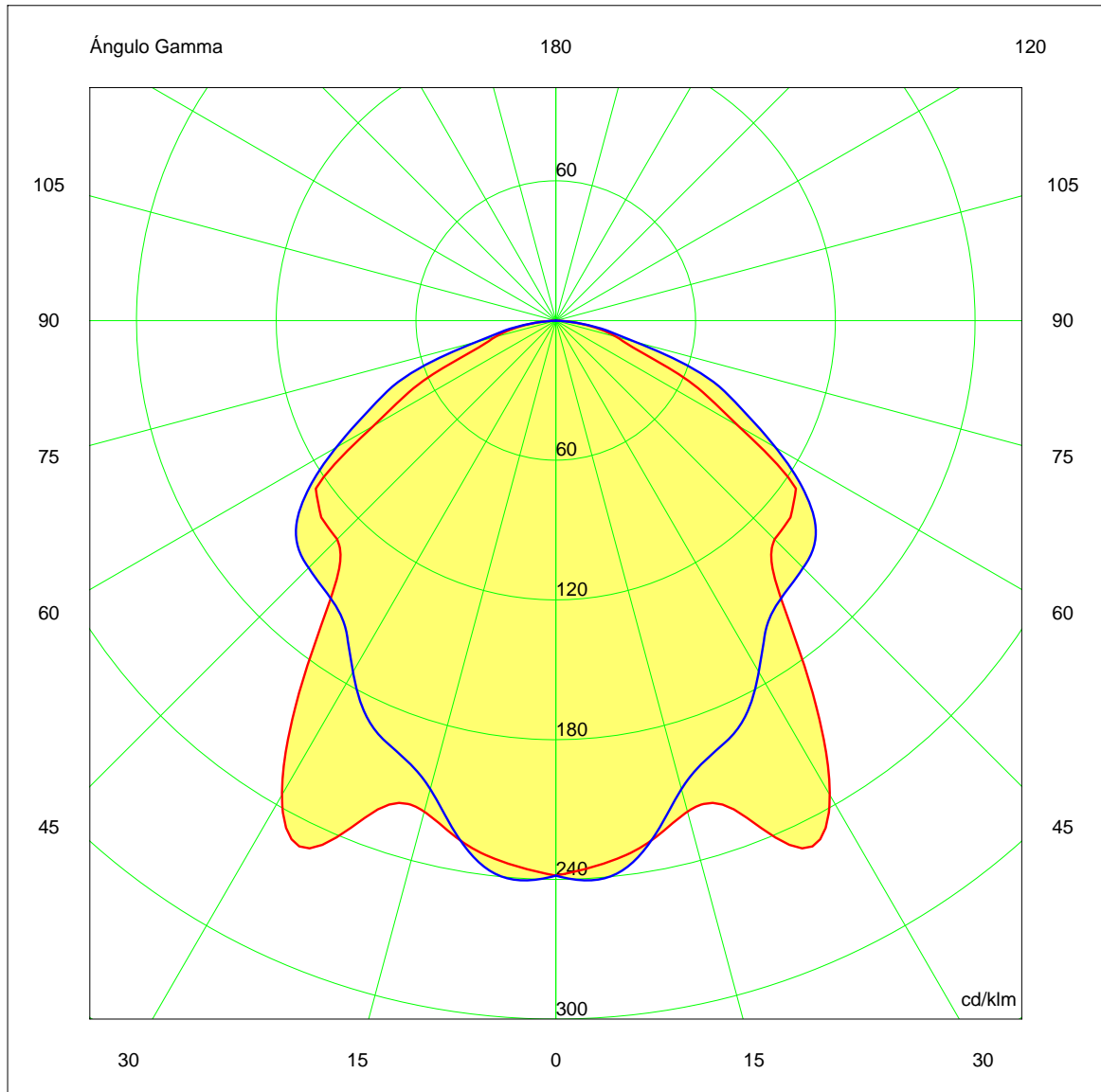
Gear included: Yes, electronic

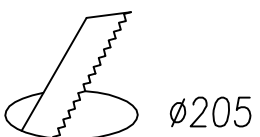
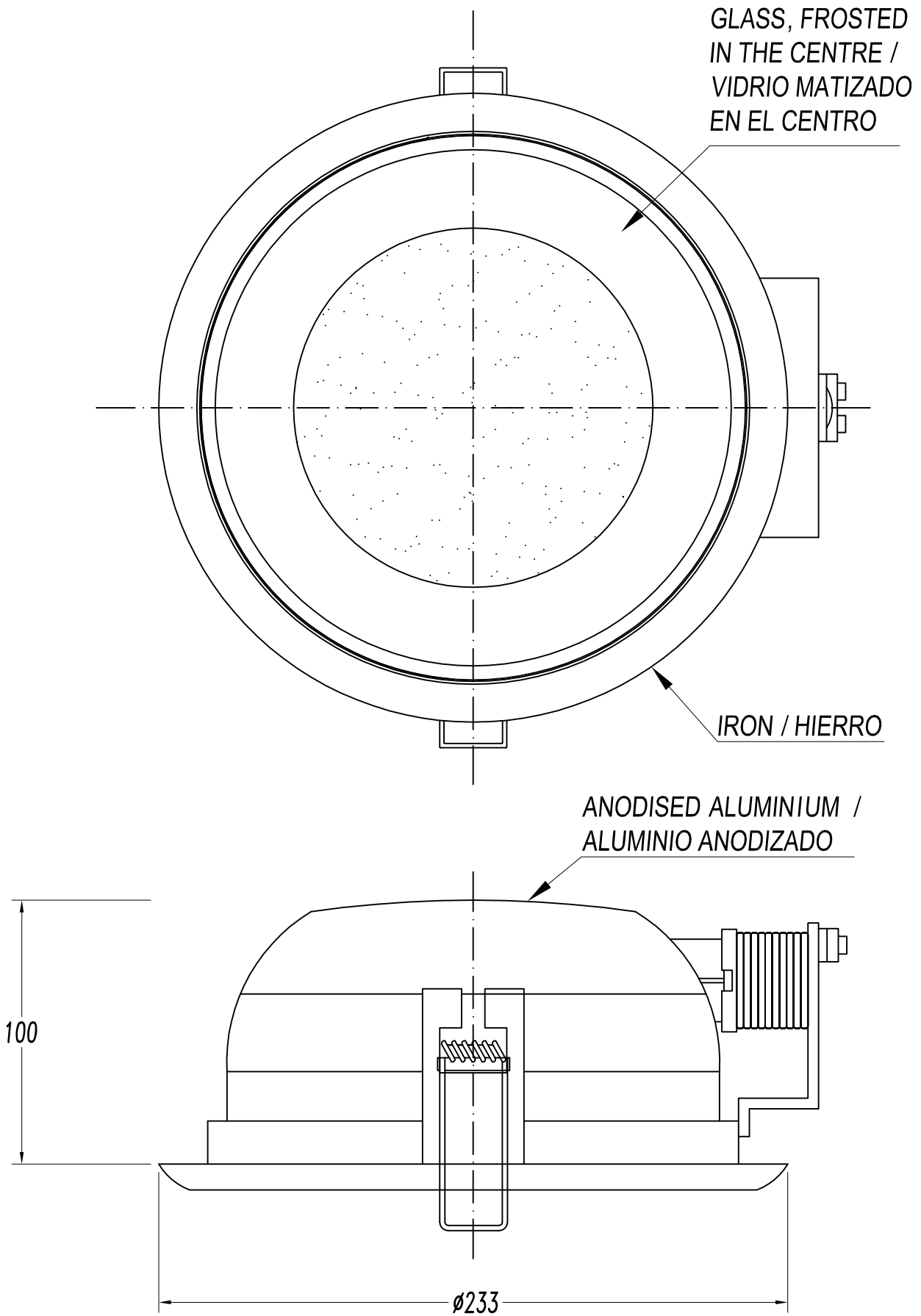
Download photometric file .ldt / .ies


Luminaria		Ensayo		Lámpara	
Código	DN-1402-14-00	Código	DN-1402-14-00	Código	PLC2684
Nombre	Downlight 1x26W G24d-3	Nombre	Downlight 1x26W G24d-3	Número	1
Familia	- LEDS-C4	Fecha	07-12-2008	Posición	UNIVERSAL
Eficiencia	65.36%	Sist. de Coorden.	C-G	Flujo Total	1800.00 lm
Valor Máximo	250.10 cd/klm	Posición	C=0.00 G=25.00		Bisimétrico

Diam=223mm Incasso

Semiplanos C


 180.0 ——— 0.0
 270.0 ——— 90.0




REF.		LAMP	SOCKET
DN-1400-14-00	∅ 195	TC-D 1x18W	G24d-2
DN-1401-14-00	∅ 195	TC-D 2x18W	G24d-2
DN-1402-14-00	∅ 195	TC-D 1x26W	G24d-3
DN-1403-14-00	∅ 195	TC-D 2x26W	G24d-3
DN-1405-14-00	∅ 195	TC-DEL 1x18W	G24q-2
DN-1406-14-00	∅ 195	TC-DEL 2x18W	G24q-2
DN-1407-14-00	∅ 195	TC-DEL 1x26W	G24q-3
DN-1408-14-00	∅ 195	TC-DEL 2x26W	G24q-3
DN-1400-N3-00	∅ 195	TC-D 1x18W	G24d-2
DN-1401-N3-00	∅ 195	TC-D 2x18W	G24d-2
DN-1402-N3-00	∅ 195	TC-D 1x26W	G24d-3
DN-1403-N3-00	∅ 195	TC-D 2x26W	G24d-3
DN-1405-N3-00	∅ 195	TC-DEL 1x18W	G24q-2
DN-1406-N3-00	∅ 195	TC-DEL 2x18W	G24q-2
DN-1407-N3-00	∅ 195	TC-DEL 1x26W	G24q-3
DN-1408-N3-00	∅ 195	TC-DEL 2x26W	G24q-3

