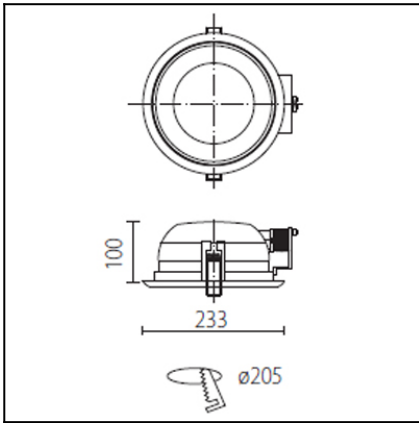




The photograph may not match the reference exactly. Please read the product description to identify the finish.



TECHNICAL CHARACTERISTICS

Type:	Downlight
IP Protection degrees:	IP44
Lampholder:	2 x G24q3
Power (W):	G24q3 26
Voltage / Frequency:	230V/50-60Hz
Warranty (Years):	2
Units per box:	1
Net Weight (Kg):	0.845
EAN:	8435111060155,00



MATERIALS / FINISHES

Structure material: Steel

Diffuser material: Tempered glass

Structure finish: Baked-on grey paint

Diffuser finish: Partly-sandblasted

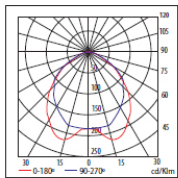
GEAR

Gear included: Yes, electronic

n° 124

DN-1408-14-00 2x26W G24q-3

$\eta=53,15\%$



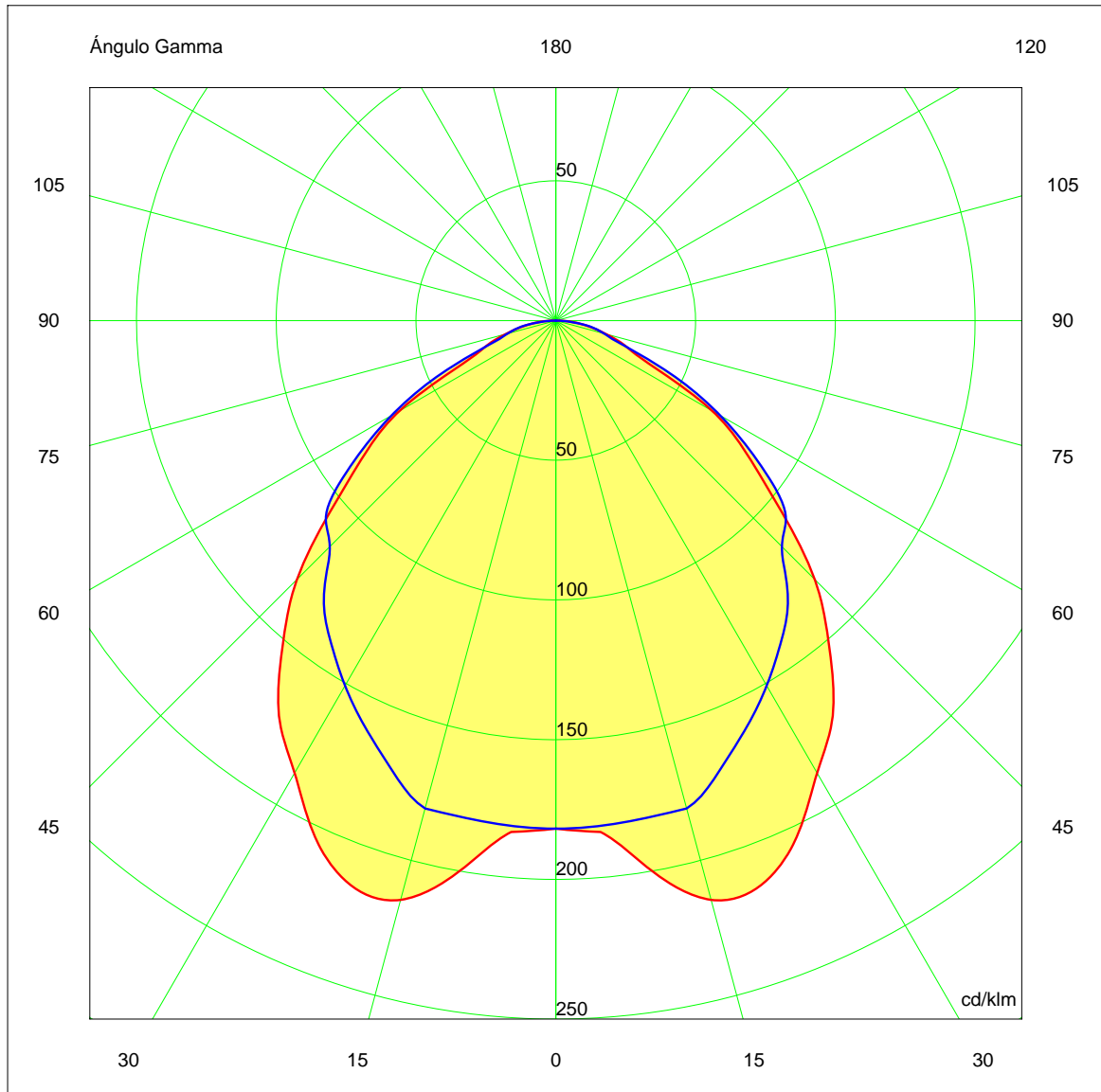
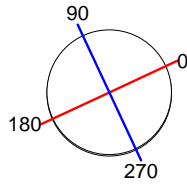
H (m)	Emed (lux)	D (m)
1	255	2.32
2	64	4.65
3	28	6.97
4	16	9.29
5	10	11.62

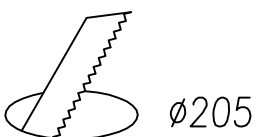
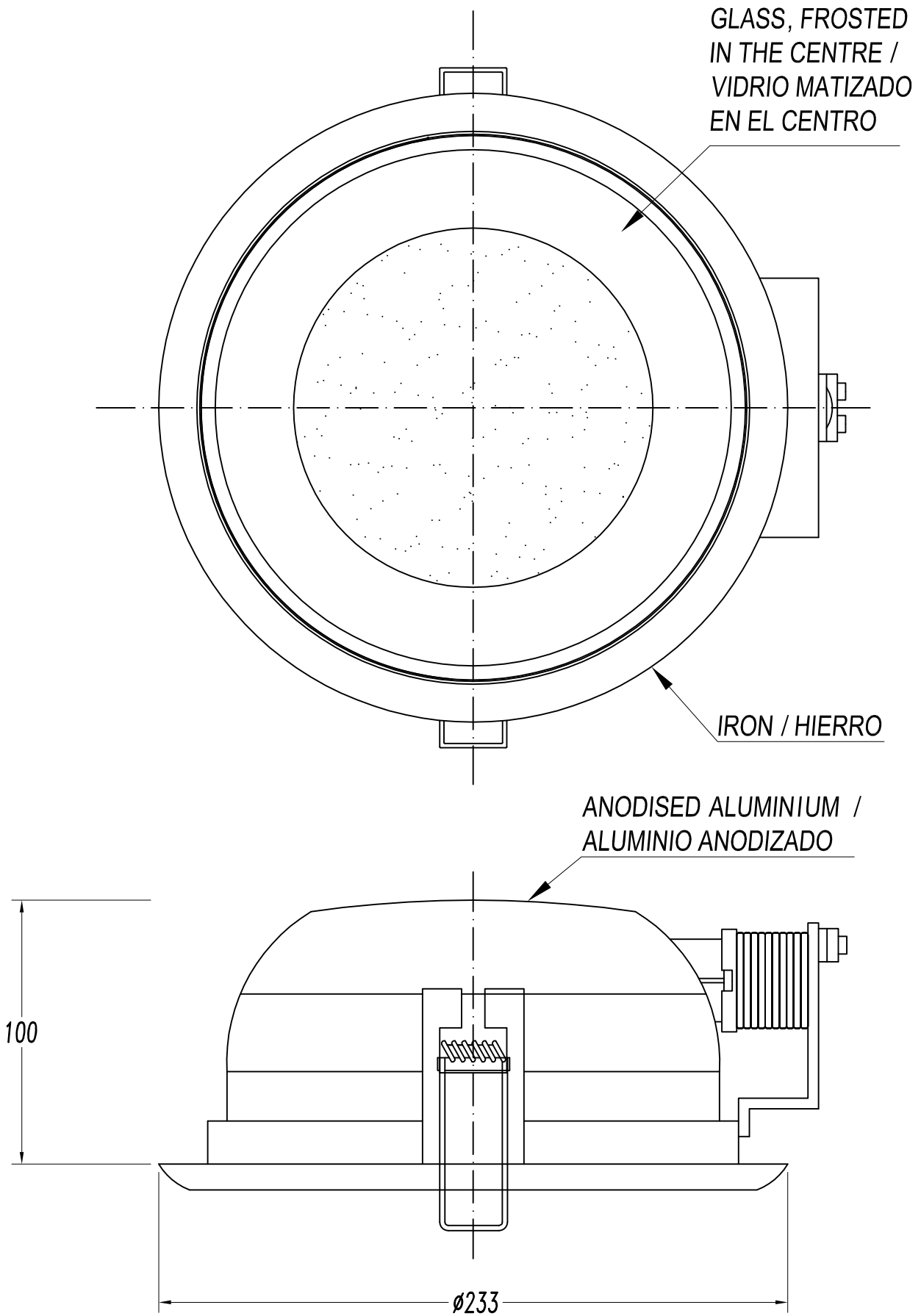
Download photometric file .ldt /.ies


Luminaria		Ensayo		Lámpara	
Código	DN-1408-14-00	Código	DN-1408-14-00	Código	PLC26844P
Nombre	Downlight 2x26W G24q-3	Nombre	Downlight 2x26W G24q-3	Número	2
Familia	- LEDS-C4	Fecha	06-12-2008	Posición	UNIVERSAL
Eficiencia	53.15%	Sist. de Coorden.	C-G	Flujo Total	3600.00 lm
Valor Máximo	216.82 cd/klm	Posición	C=15.00 G=20.00	Bisimétrico	

Diam=225mm Incasso

Semiplanos C





REF.		LAMP	SOCKET
DN-1400-14-00	∅ 195	TC-D 1x18W	G24d-2
DN-1401-14-00	∅ 195	TC-D 2x18W	G24d-2
DN-1402-14-00	∅ 195	TC-D 1x26W	G24d-3
DN-1403-14-00	∅ 195	TC-D 2x26W	G24d-3
DN-1405-14-00	∅ 195	TC-DEL 1x18W	G24q-2
DN-1406-14-00	∅ 195	TC-DEL 2x18W	G24q-2
DN-1407-14-00	∅ 195	TC-DEL 1x26W	G24q-3
DN-1408-14-00	∅ 195	TC-DEL 2x26W	G24q-3
DN-1400-N3-00	∅ 195	TC-D 1x18W	G24d-2
DN-1401-N3-00	∅ 195	TC-D 2x18W	G24d-2
DN-1402-N3-00	∅ 195	TC-D 1x26W	G24d-3
DN-1403-N3-00	∅ 195	TC-D 2x26W	G24d-3
DN-1405-N3-00	∅ 195	TC-DEL 1x18W	G24q-2
DN-1406-N3-00	∅ 195	TC-DEL 2x18W	G24q-2
DN-1407-N3-00	∅ 195	TC-DEL 1x26W	G24q-3
DN-1408-N3-00	∅ 195	TC-DEL 2x26W	G24q-3

