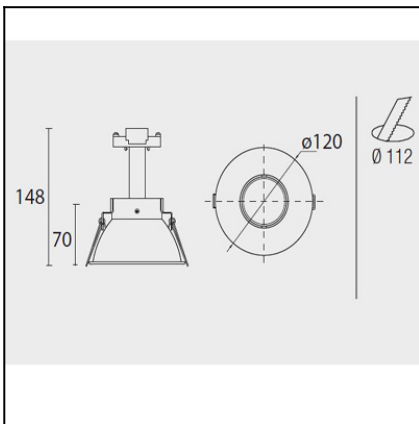


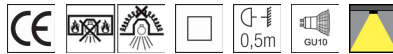


The photograph may not match the reference exactly. Please read the product description to identify the finish.



### TECHNICAL CHARACTERISTICS

Type:	Downlight
Adjustable $\pm 20^\circ$ on the horizontal axis.	
IP Protection degrees:	IP23
Lampholder:	1 x GU10
Power (W):	GU10 50
Total power consumption (W):	50
Voltage / Frequency:	230V-12V/50-60Hz
Warranty (Years):	2
Units per box:	64
Net Weight (Kg):	0.265
EAN:	8435111080993,00



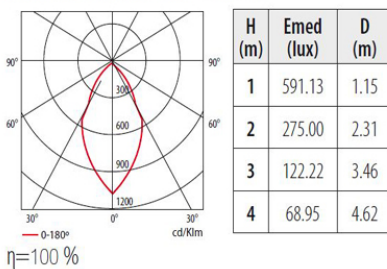
### MATERIALS / FINISHES

**Structure material:** Steel  
**Structure finish:** White

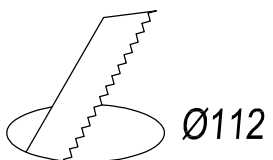
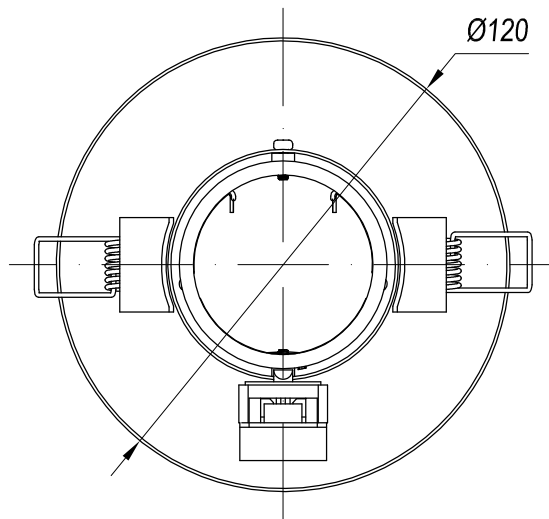
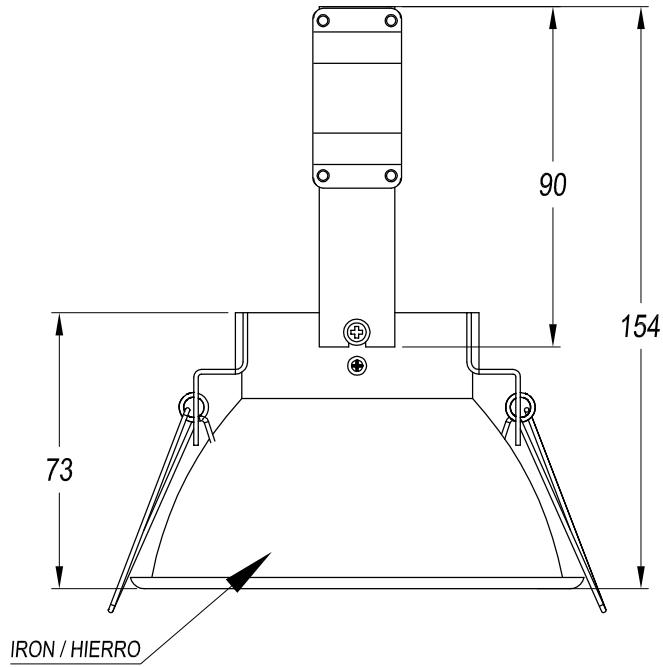
### GEAR

Necessary equipment not included. For more information check website / catalogs / sales organization.

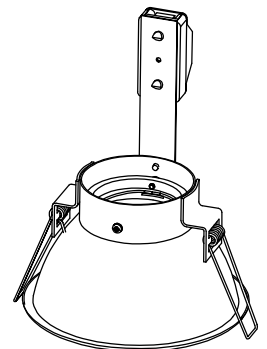
### QR-CBC51 GU 5,3 50W 60°




Download photometric file .ldt / .ies



SCALE 1:2 / ESCALA 1:2



22-10-12

REF.		LAMP	SOCKET
DN-1601-14-00	Ø112	GU 10 MAX 50W	GU 10
		GU 5.3 MAX 50W	GU 5.3

