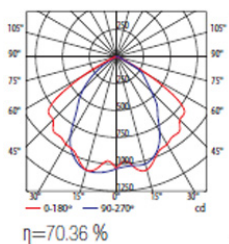
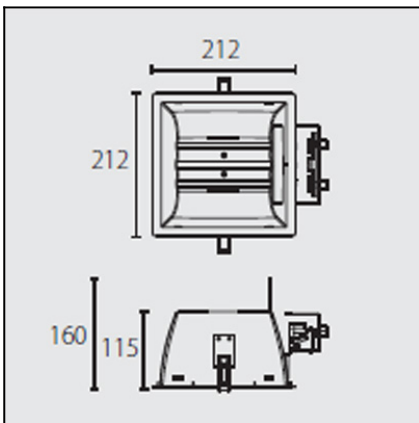




The photograph may not match the reference exactly. Please read the product description to identify the finish.



H (m)	Emed (lux)	D (m)
1	381	3.11
2	95	6.21
3	42	9.32
4	24	12.42
5	15	15.53

DESCRIPTION

Square recessed downlight ballast included. Housing produced in white injected polycarbonate with an internal chrome high efficiency reflector. Can be installed without surround, with flat surround or with high visual comfort surround. Decorative surround frames made of white or grey injected polycarbonate with various glass diffusers (frosted, semi-frosted and serigraphic). Suitable for compact fluorescent lights. Spring mounting system.

TECHNICAL CHARACTERISTICS

Type:	Downlight
IP Protection degrees:	IP23
Lampholder:	2 x GX24q3
Power (W):	GX24q3 26/32/42
Voltage / Frequency:	220-240V/50-60Hz
Warranty (Years):	2
Units per box:	1
Net Weight (Kg):	0.66
EAN:	8435111085776,00



MATERIALS / FINISHES

Structure material: Polycarbonate

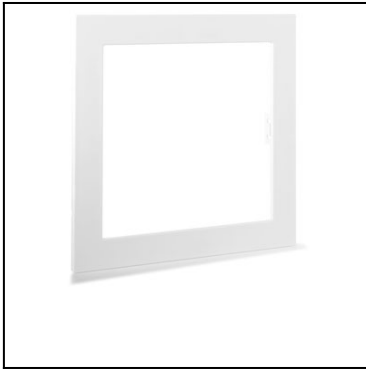
Structure finish: White

GEAR

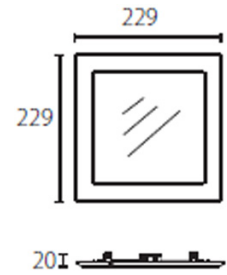
Gear included: Yes, electronic

Download photometric file .ldt / .ies

ACT-9110-14-B9



Structure material: Polycarbonate
Structure finish: White
Diffuser material: Tempered glass
Diffuser finish: Sandblasted

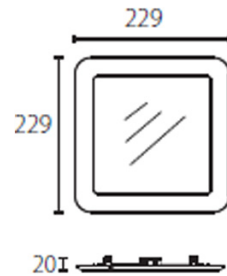


IP54

ACT-9111-14-B9

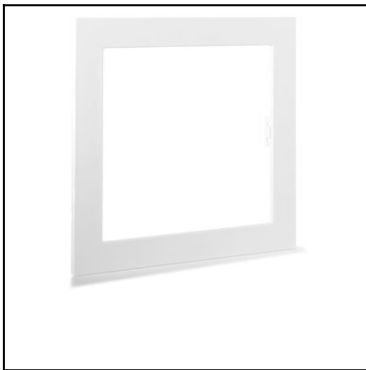


Structure material: Polycarbonate
Structure finish: White
Diffuser material: Tempered glass
Diffuser finish: Sandblasted

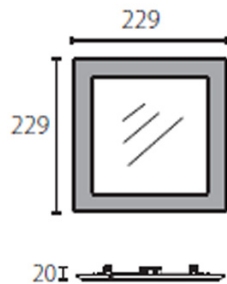


IP54

ACT-9110-N3-B9



Structure material: Polycarbonate
Structure finish: Grey
Diffuser material: Tempered glass
Diffuser finish: Sandblasted

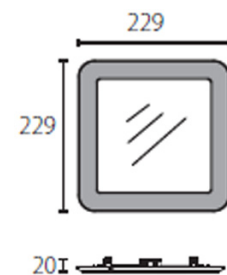


IP54

ACT-9111-N3-B9

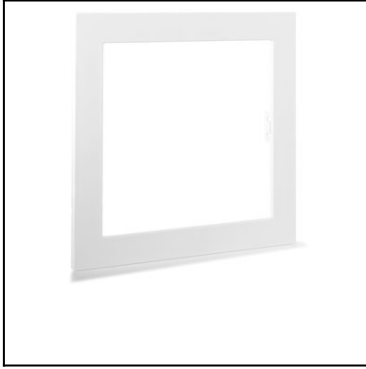


Structure material: Polycarbonate
Structure finish: Grey
Diffuser material: Tempered glass
Diffuser finish: Sandblasted

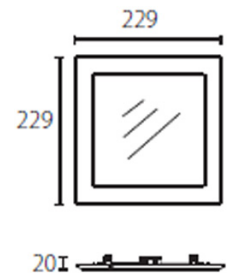


IP54

ACT-9115-14-F1



Structure material: Polycarbonate
Structure finish: White
Diffuser material: Tempered glass
Diffuser finish: Partly-sandblasted

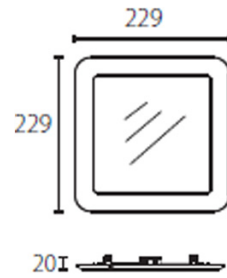


IP54

ACT-9116-14-F1



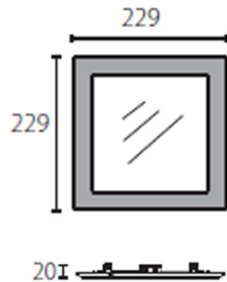
Structure material: Polycarbonate
Structure finish: White
Diffuser material: Tempered glass
Diffuser finish: Partly-sandblasted



ACT-9115-N3-F1



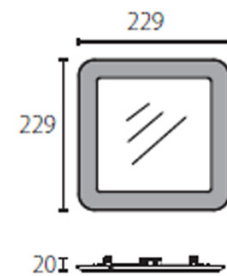
Structure material: Polycarbonate
Structure finish: Grey
Diffuser material: Tempered glass
Diffuser finish: Partly-sandblasted



ACT-9116-N3-F1

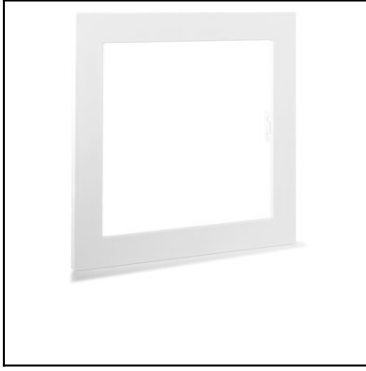


Structure material: Polycarbonate
Structure finish: Grey
Diffuser material: Tempered glass
Diffuser finish: Partly-sandblasted

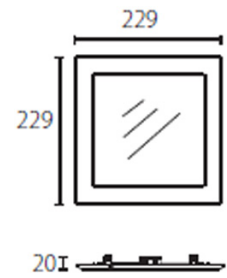


IP54

ACT-9119-14-H6



Structure material: Polycarbonate
Structure finish: White
Diffuser material: Tempered glass
Diffuser finish: Silkscreened

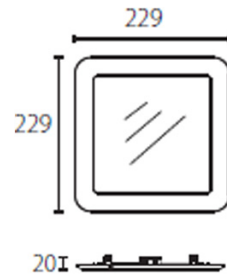


IP54

ACT-9120-14-H6



Structure material: Polycarbonate
Structure finish: White
Diffuser material: Tempered glass
Diffuser finish: Silkscreened

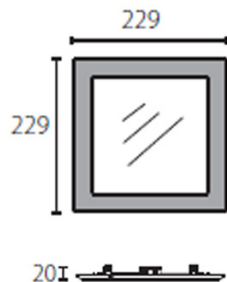


IP54

ACT-9119-N3-H6



Structure material: Polycarbonate
Structure finish: Grey
Diffuser material: Tempered glass
Diffuser finish: Silkscreened

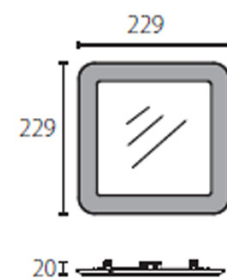


IP54

ACT-9120-N3-H6



Structure material: Polycarbonate
Structure finish: Grey
Diffuser material: Tempered glass
Diffuser finish: Silkscreened



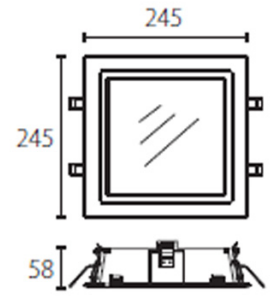
IP54

ACT-9112-14-B9



High visual comfort

Structure material: Polycarbonate
Structure finish: White
Diffuser material: Tempered glass
Diffuser finish: Sandblasted



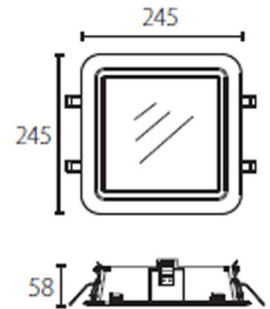
IP54

ACT-9113-14-B9



High visual comfort

Structure material: Polycarbonate
Structure finish: White
Diffuser material: Tempered glass
Diffuser finish: Sandblasted



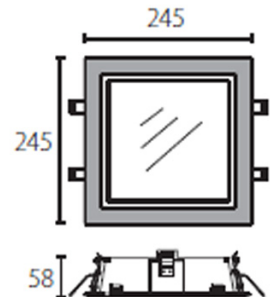
IP54

ACT-9112-N3-B9



High visual comfort

Structure material: Polycarbonate
Structure finish: Grey
Diffuser material: Tempered glass
Diffuser finish: Sandblasted



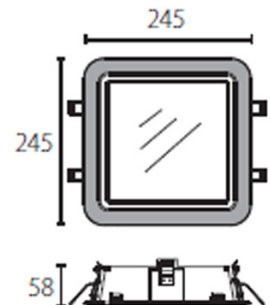
IP54

ACT-9113-N3-B9



High visual comfort

Structure material: Polycarbonate
Structure finish: Grey
Diffuser material: Tempered glass
Diffuser finish: Sandblasted



IP54

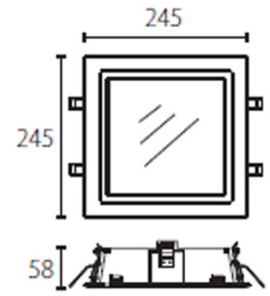
ACT-9117-14-F1



High visual comfort

Structure material: Polycarbonate
Structure finish: White

Diffuser material: Tempered glass
Diffuser finish: Partly-sandblasted



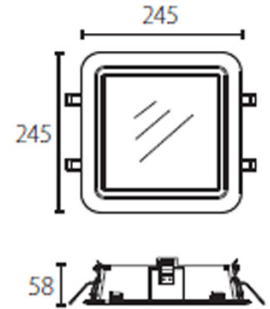
ACT-9118-14-F1



High visual comfort

Structure material: Polycarbonate
Structure finish: White

Diffuser material: Tempered glass
Diffuser finish: Partly-sandblasted



IP54

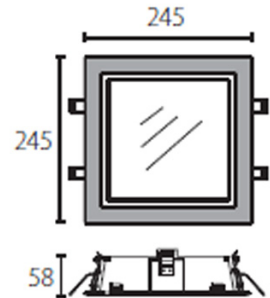
ACT-9117-N3-F1



High visual comfort

Structure material: Polycarbonate
Structure finish: Grey

Diffuser material: Tempered glass
Diffuser finish: Partly-sandblasted



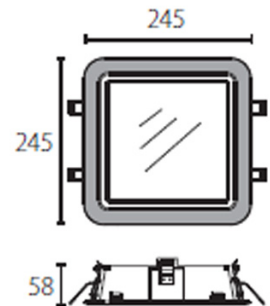
ACT-9118-N3-F1



High visual comfort

Structure material: Polycarbonate
Structure finish: Grey

Diffuser material: Tempered glass
Diffuser finish: Partly-sandblasted

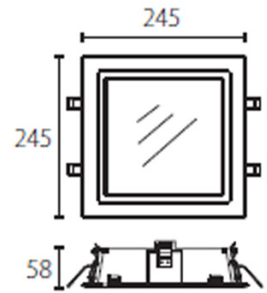


IP54

ACT-9121-14-H6

High visual comfort

Structure material:	Polycarbonate
Structure finish:	White
Diffuser material:	Tempered glass
Diffuser finish:	Silkscreened

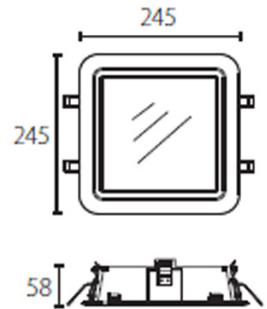


IP54

ACT-9122-14-H6

High visual comfort

Structure material:	Polycarbonate
Structure finish:	White
Diffuser material:	Tempered glass
Diffuser finish:	Silkscreened

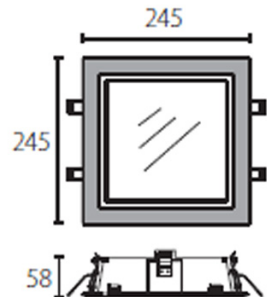


IP54

ACT-9121-N3-H6

High visual comfort

Structure material:	Polycarbonate
Structure finish:	Grey
Diffuser material:	Tempered glass
Diffuser finish:	Silkscreened

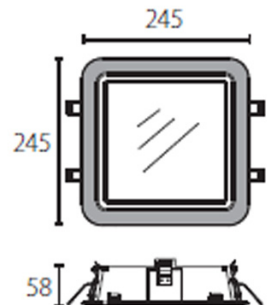


IP54

ACT-9122-N3-H6

High visual comfort

Structure material:	Polycarbonate
Structure finish:	Grey
Diffuser material:	Tempered glass
Diffuser finish:	Silkscreened

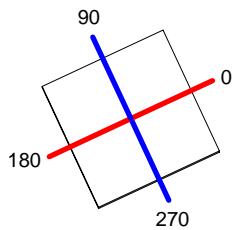


IP54

Luminaria		Ensayo		Lámpara	
Código	DN-1621-14-00	Código	DOWNLIGHT CROMO 26W	Código	PL-T42W/840/4P
Nombre	Downlight cromo 2x42W TC-TEL	Nombre	Dowl. FRAME cromo 2x26W TC-DEL	Número	2
Familia	- LEDS-C4	Fecha	01-06-2011	Posición	Universal
Rendimiento	70.36%	Sist. de Coorden.	C-G	Flujo Total	6400.00 lm
Valor Máximo	2052.49 cd	Posición	C=330.00 G=15.00	Sim. en los planos 270-90	
Flujo Rectangular	Longit. 210 mm	Anchura	210 mm	Altura	2 mm
Área Luminosa Rectangular	Longit. 184 mm	Anchura	184 mm	Altura	1 mm
Área Luminosa Horizontal	0.033856 m ²	Área Emisión sobre Pl. 180°		0.000184 m ²	
Área Emisión sobre Pl. 0°	0.000184 m ²	Área Emisión sobre Pl. 270°		0.000184 m ²	
Área Emisión sobre Pl. 90°	0.000184 m ²	Área de deslumbramiento a 76°		0.008369 m ²	
Tipo de Simetría	Sim. en los planos 270-90	Máximo Ángulo Gamma	90		
Distancia de Ensayo	6.44	Flujo de Ensayo	3600.00 lm		
Operador	Asselum T2	Tensión de alimentación	230.00 V		
Temperatura	22.00 °C	Corriente de alimentación	PRC		
Humedad	50.00 %	Fotocélula			
Notas					

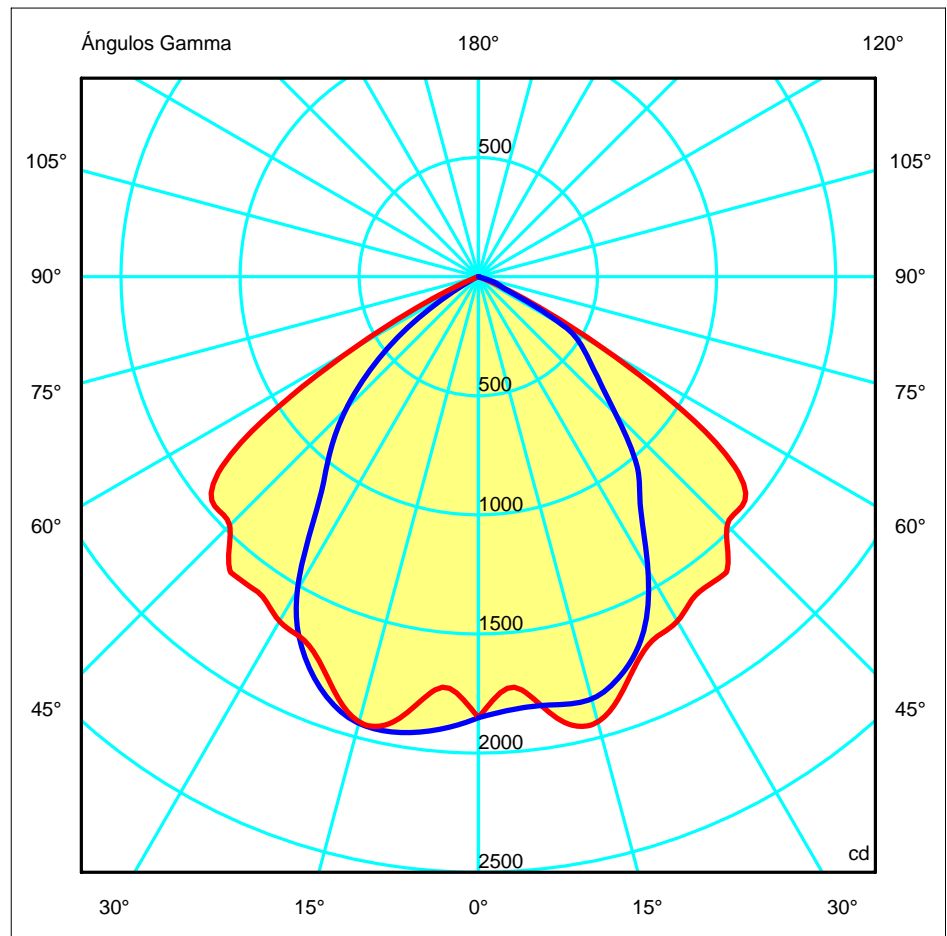
Lámparas de la Luminaria					
Familia	Código	Nombre	Flujo/lm	Pot.W	Cant.
PHILIPS 2005 ILCOS FBT,G,C,FSQ	PL-T42W/840/4P	MASTER PL-T 42W/840/4P GX24q-4	3200.00	42.00	2
C.I.E.	59 96 100 100 70	D DIN 5040	A40		
F UTE	0.70 C	B NBN	BZ 3 / 1.5 / BZ 2		

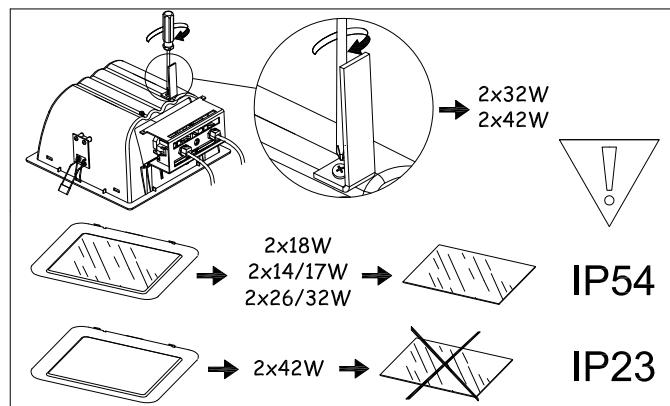
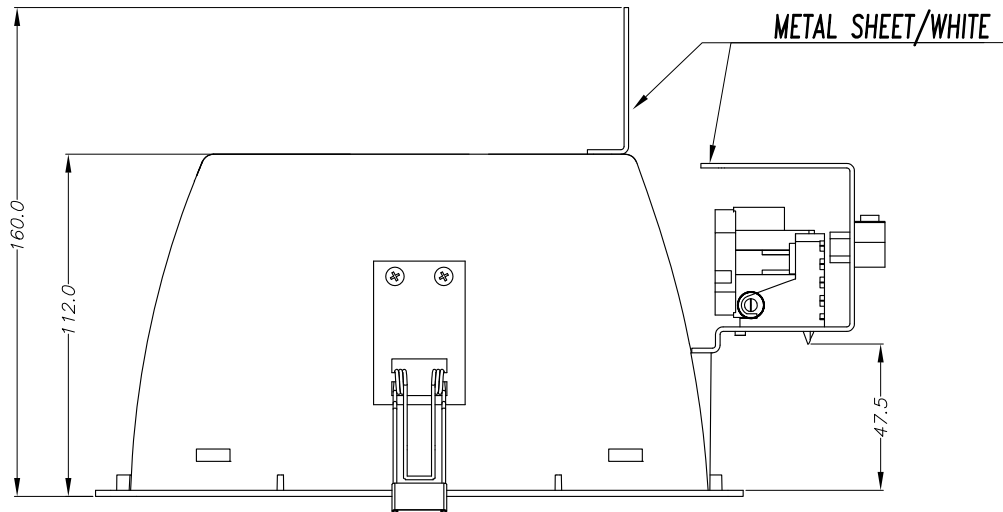
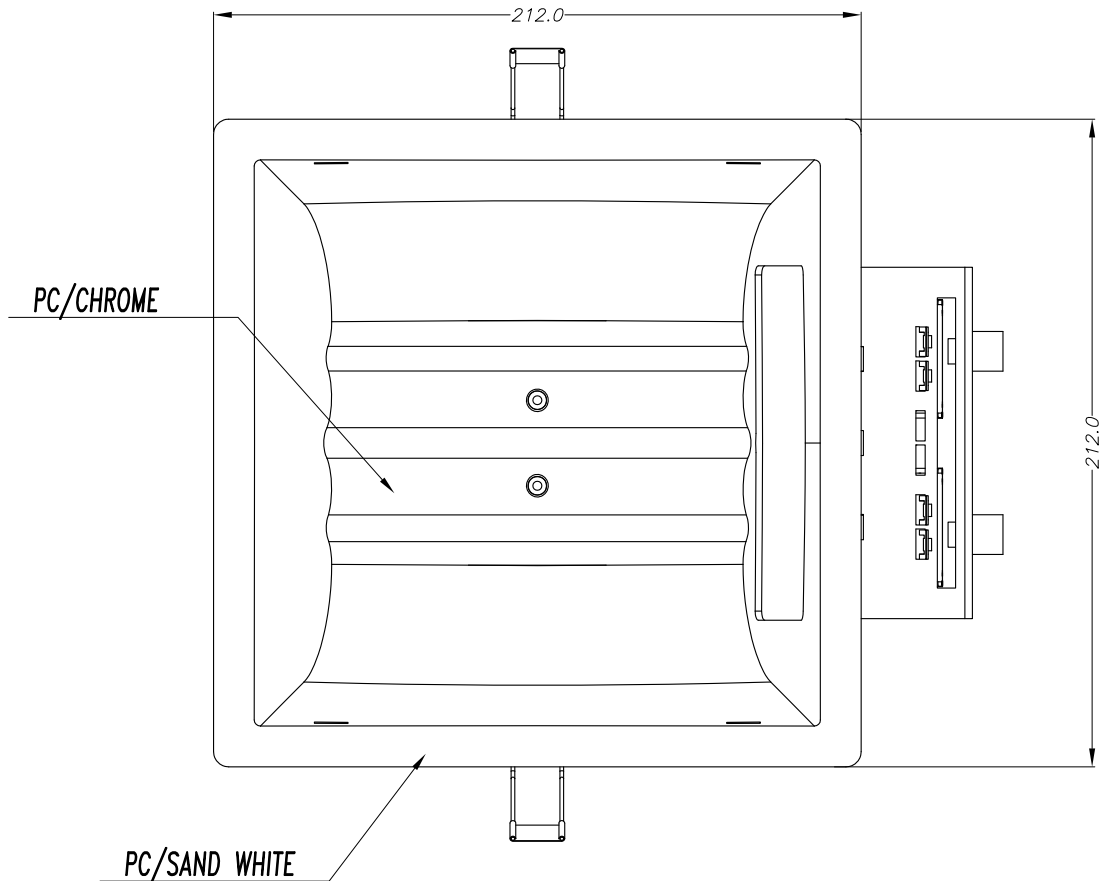
210mm x 210mm



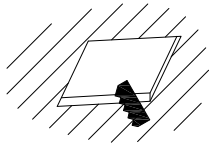
Semiplanos C
 270.0 ——— 0.0
 180.0 ——— 90.0

ULOR 0.00 %
 DLOR 70.36 %
 RN 0.00 %



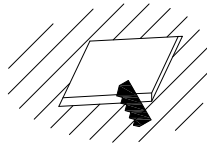


Standard version (S)
Visual version (V)

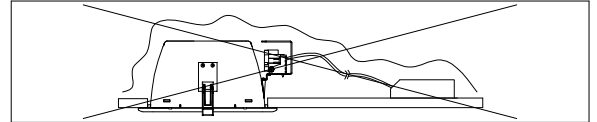


200x200

Visual Comfort version (VC)



220x220



Electronic Ballast
Balasto electrónico

230 / 240V
50.....60Hz

H03VVH2.F 3x0.75mm² 230V/240V

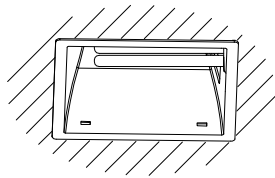
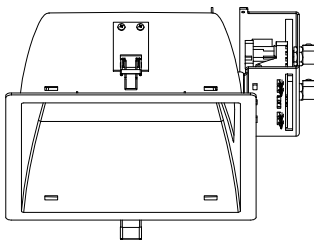
min. 50mm.

min. 200mm.

min. 50mm.

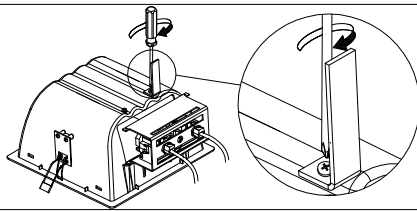
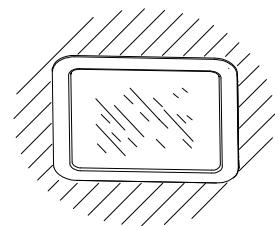
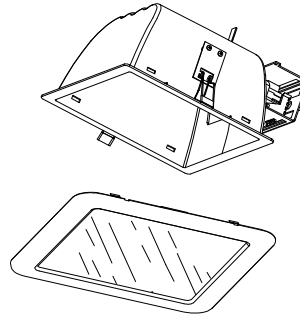
Standard version (S)

IP23

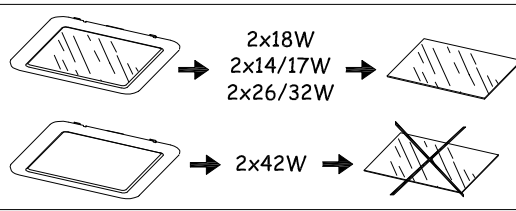
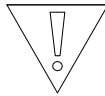


Visual version (V)

IP54

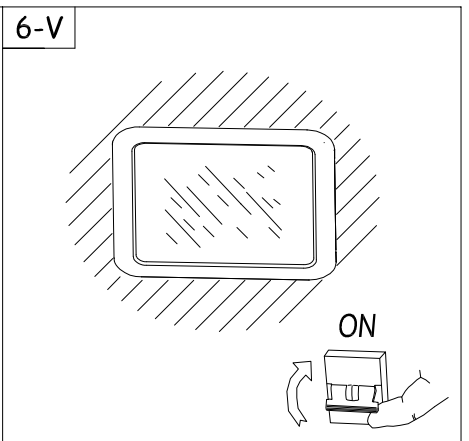
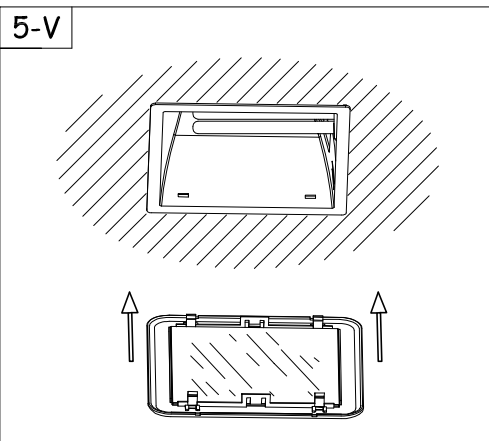
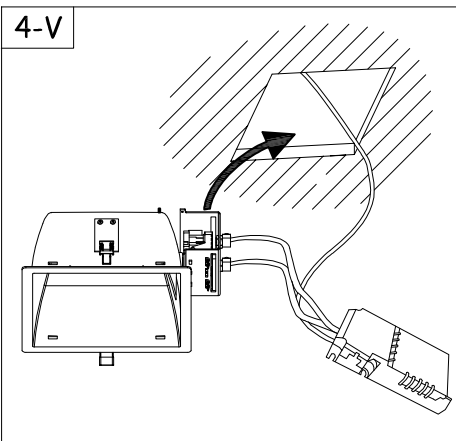
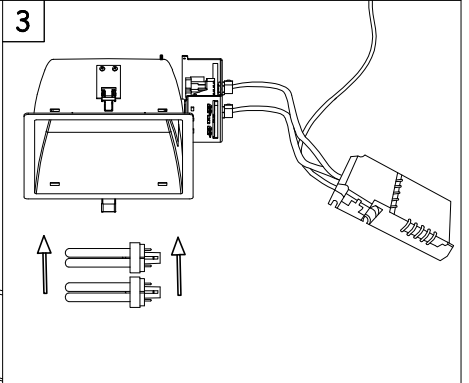
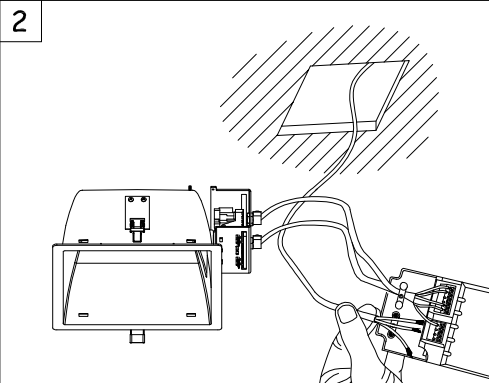
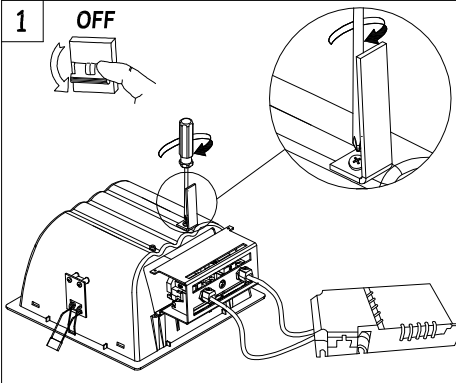
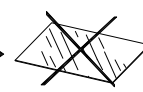


2x32W
2x42W



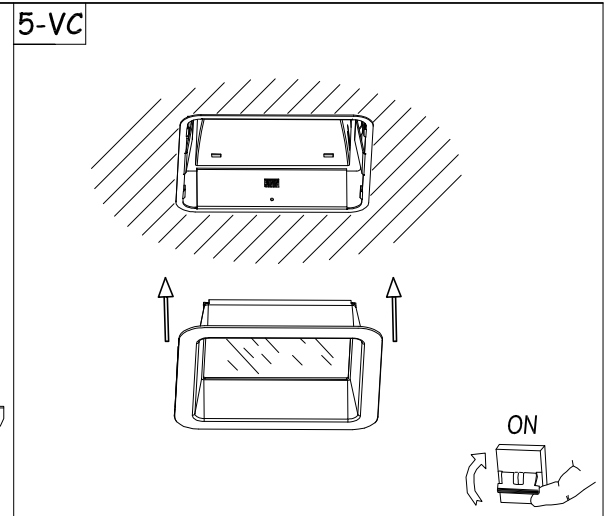
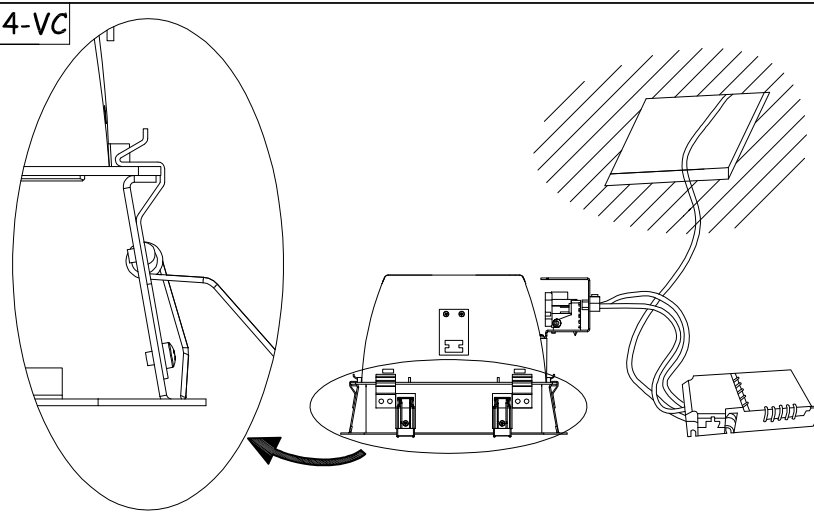
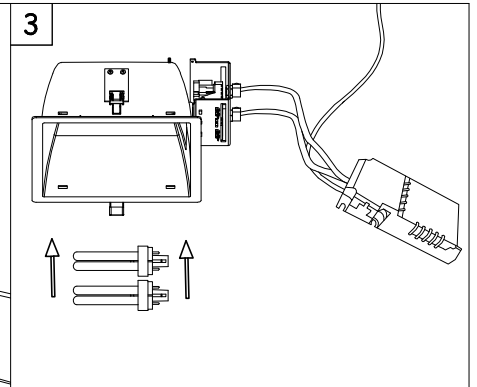
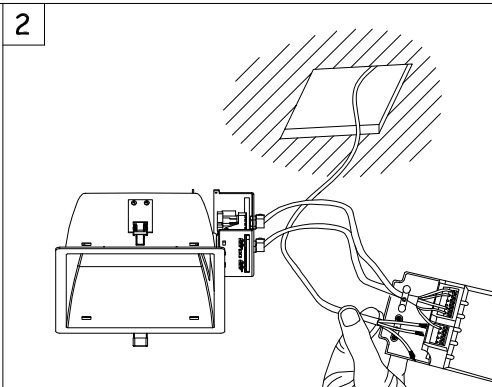
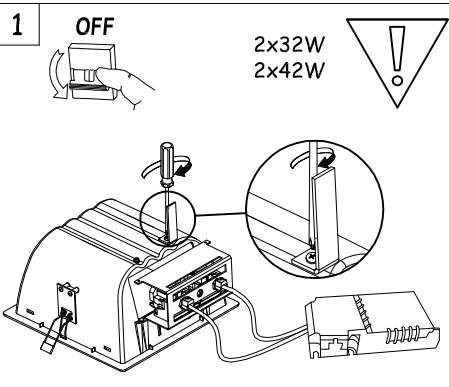
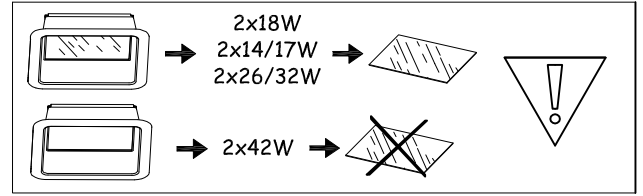
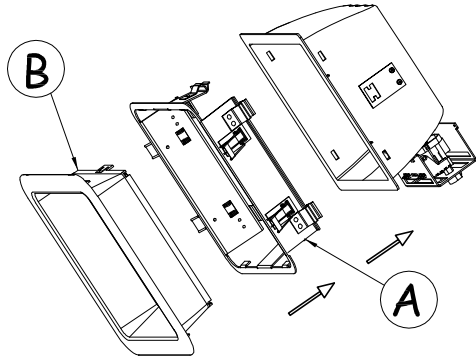
2x18W
2x14/17W
2x26/32W

2x42W



Visual Comfort version (VC)

IP54



Visual version (V) / Visual Comfort version (VC)

