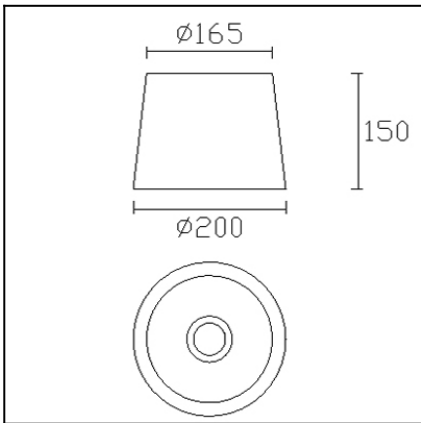


Design by Nahtrang Design



The photograph may not match the reference exactly. Please read the product description to identify the finish.



[Download photometric file .ldt / .ies](#)

TECHNICAL CHARACTERISTICS

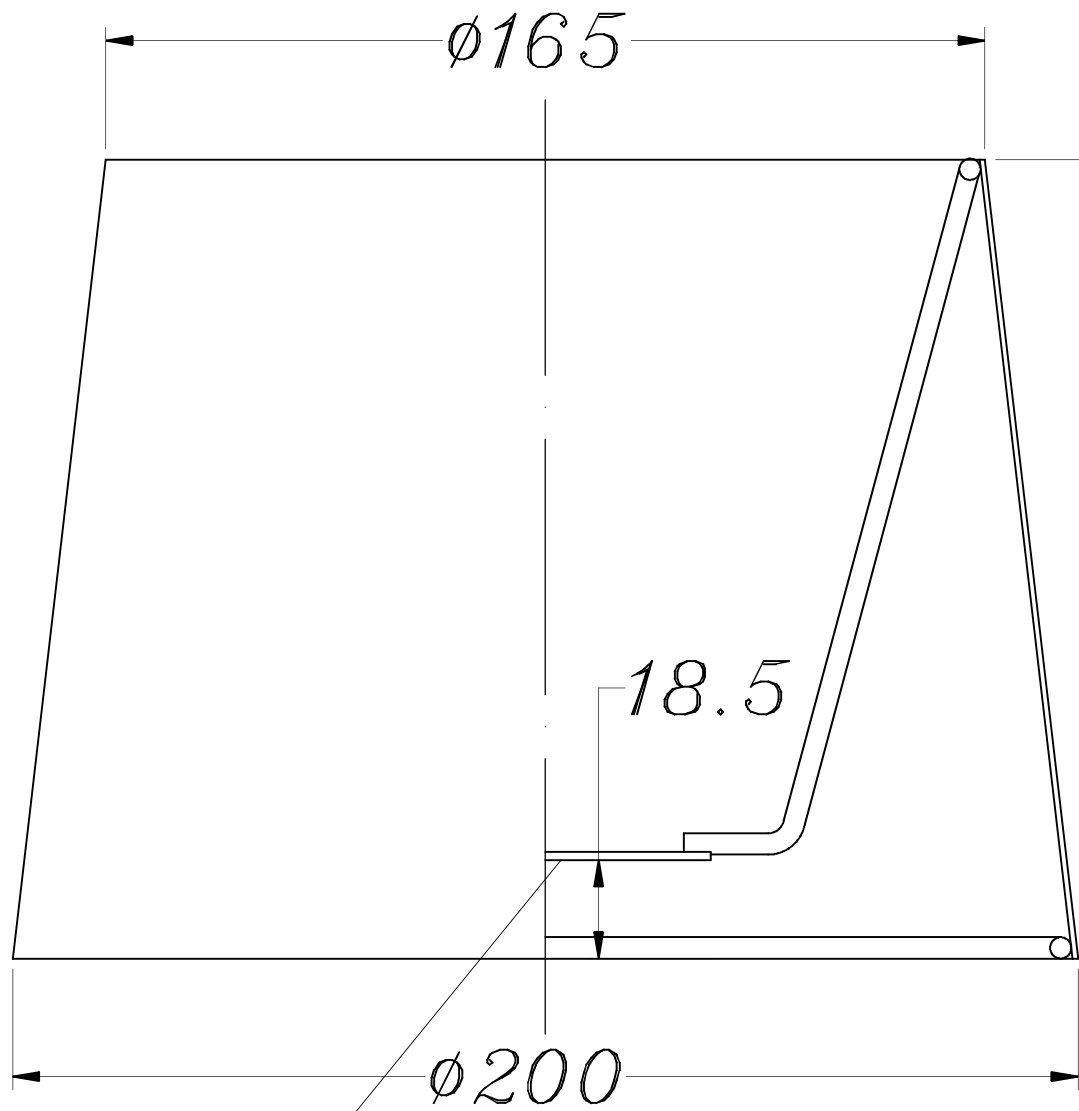
Type:	Accessory
IP Protection degrees:	IP20
Lampholder:	1 x E27
Units per box:	5
Net Weight (Kg):	0.165
EAN:	8435111087336



MATERIALS / FINISHES

Structure material: Steel
Structure finish: White

Diffuser material: Fabric shade
Diffuser finish: Sandblasted



LIRE: E-27

Modificaciones	Tolerancias generales	
⑦	MUY BASTO D	
⑥	Observaciones	
⑤		
④		
③		
②	Dibujado	06.09.1
①	Comprob.	06.09.1