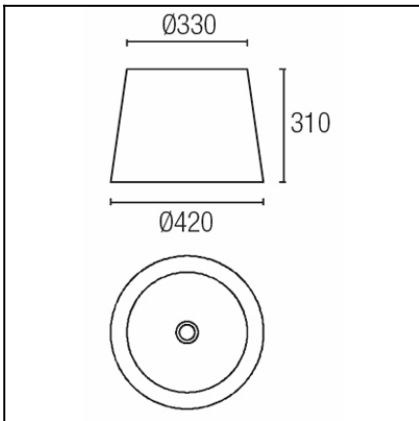


Design by Nahtrang Design



The photograph may not match the reference exactly. Please read the product description to identify the finish.



[Download photometric file .ldt / .ies](#)

TECHNICAL CHARACTERISTICS

| | |
|------------------------|---------------|
| Type: | Accessory |
| IP Protection degrees: | IP20 |
| Lampholder: | 1 x E27 |
| Units per box: | 4 |
| Net Weight (Kg): | 1.07 |
| EAN: | 8435111087398 |



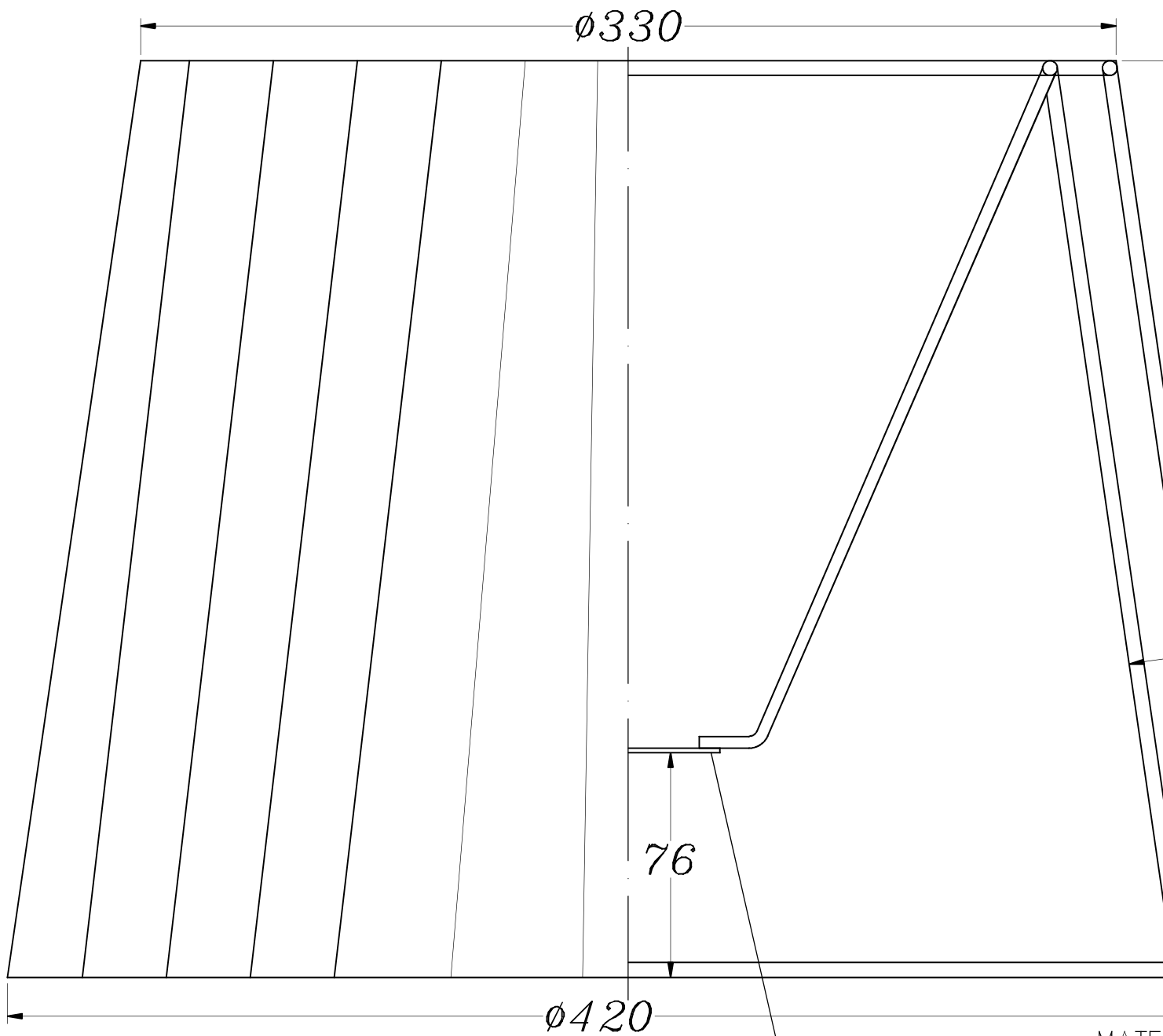
MATERIALS / FINISHES

Structure material: Steel

Diffuser material: Fabric shade

Structure finish: White

Diffuser finish: Brown



PANTALLA DE DOBLE COS
 DOUBLE STRUCTURE SHADE

LIRE: E-27

| MATE |
|------------|
| Modificaci |
| ① |
| ② |
| ③ |
| ④ |
| ⑤ |
| ⑥ |
| ⑦ |