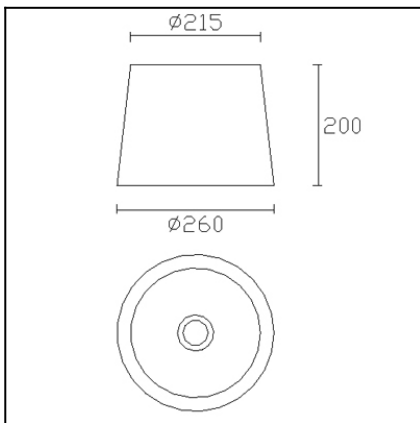


Design by Nahtrang Design



The photograph may not match the reference exactly. Please read the product description to identify the finish.



[Download photometric file .ldt / .ies](#)

TECHNICAL CHARACTERISTICS

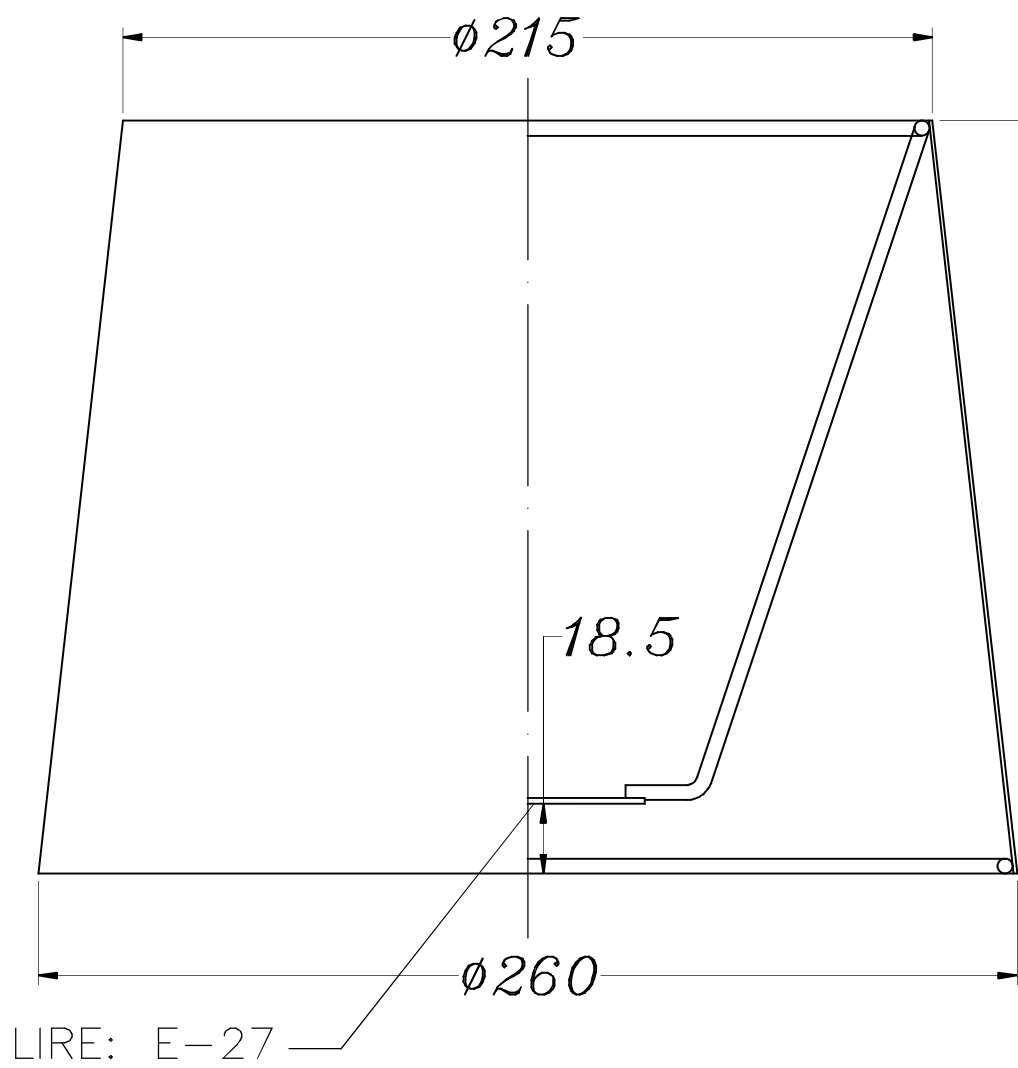
Type:	Accessory
IP Protection degrees:	IP20
Lampholder:	1 x E27
Units per box:	5
Net Weight (Kg):	0.235
EAN:	8435111087411



MATERIALS / FINISHES

Structure material: Steel
Structure finish: White

Diffuser material: Fabric shade
Diffuser finish: Sandblasted



Modificach	
①	
②	
③	
④	
⑤	
⑥	
⑦	