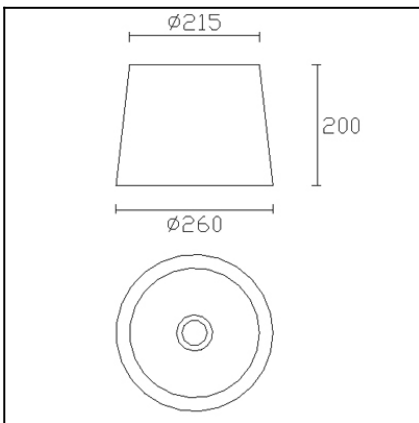


Design by Nahtrang Design



The photograph may not match the reference exactly. Please read the product description to identify the finish.



Download photometric file .ldt / .ies

TECHNICAL CHARACTERISTICS

Type:	Accessory
IP Protection degrees:	IP20
Lampholder:	1 x E27
Units per box:	8
Net Weight (Kg):	0.525
EAN:	8435111087435



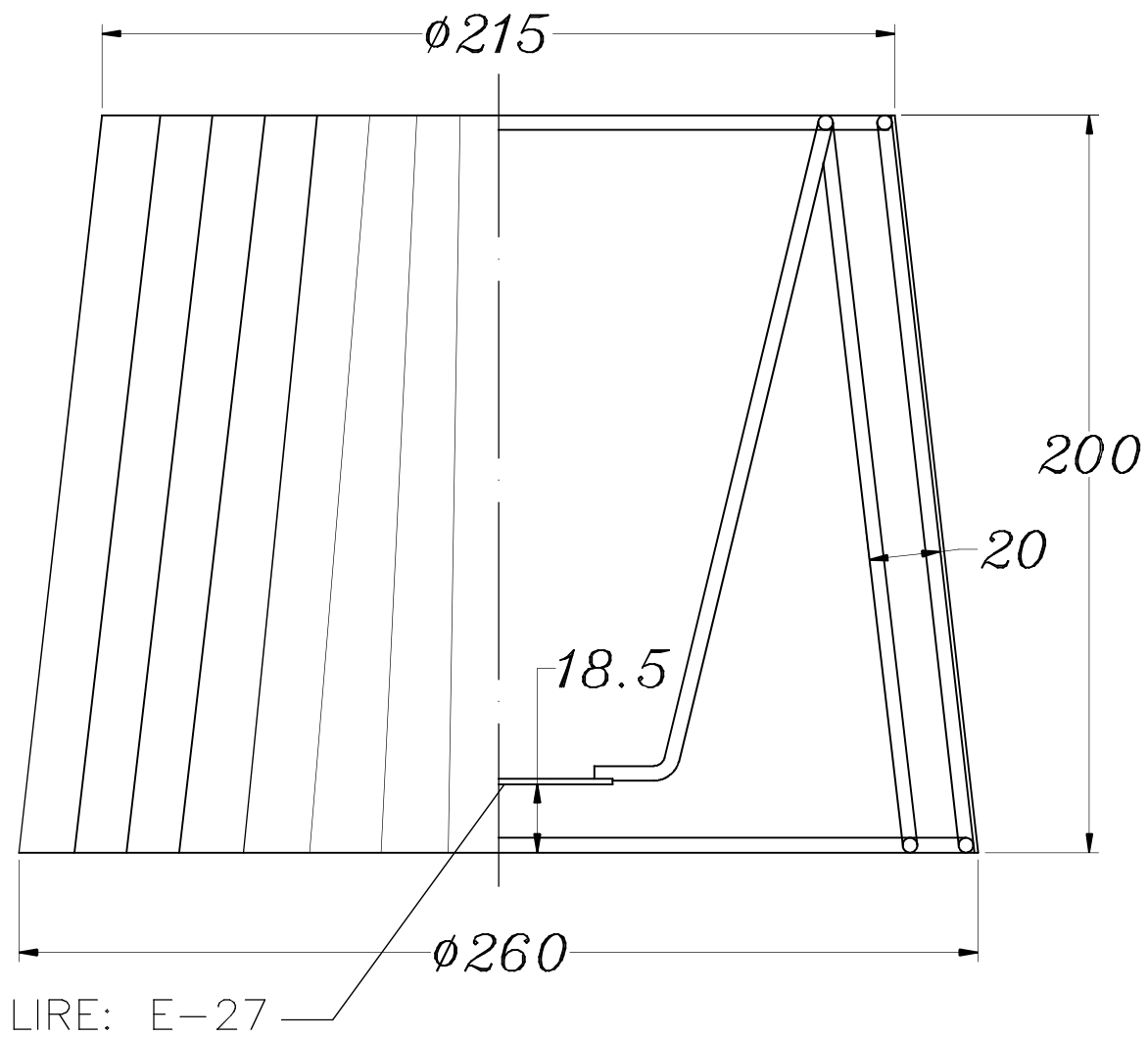
MATERIALS / FINISHES

Structure material: Steel

Diffuser material: Fabric shade

Structure finish: White

Diffuser finish: Brown



PANTALLA DE DOBLE COS
DOUBLE STRUCTURE SHADE

MATE

Modificaci
①
②
③
④
⑤
⑥
⑦